

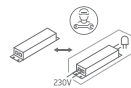
INSTALLATION MANUAL

50110CE

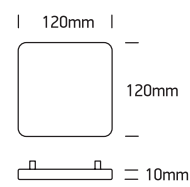
LED
BUILT IN



80
CRI



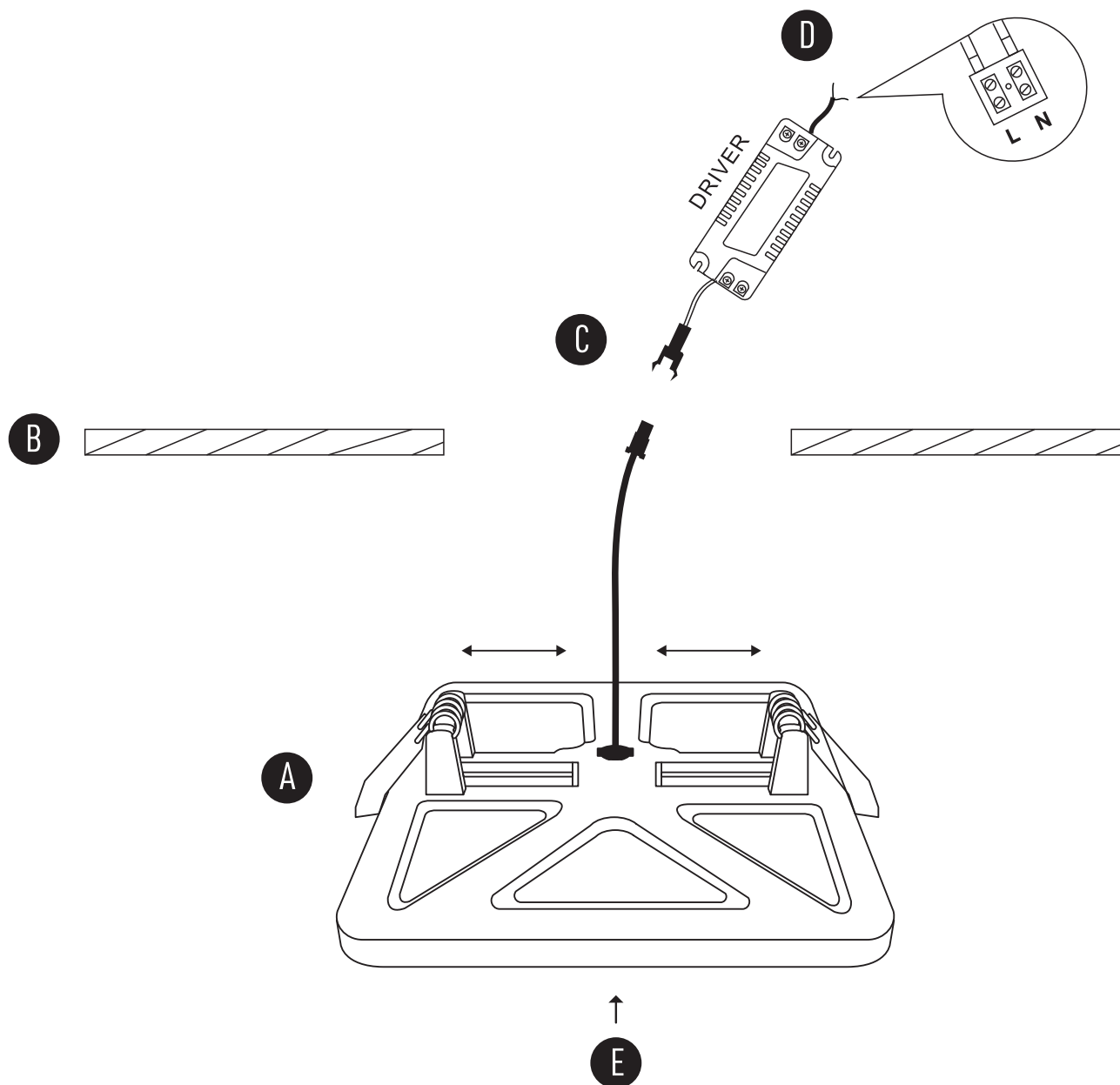
50-100mm 50mm



230V | SMD 4014 | 10W | IP20 | Aluminium + PC
Complete with 250mA driver.



one
LIGHT



Warnings:

1. Make sure that the product is installed properly before connecting to electricity.
2. Do not cover the fitting.
3. Maintenance and installation should only be carried out by a professional electrician.