

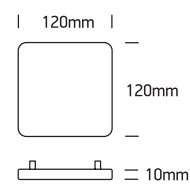
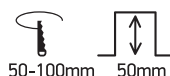
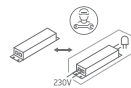
# INSTALLATION MANUAL

## 50110CE

**LED**  
BUILT IN



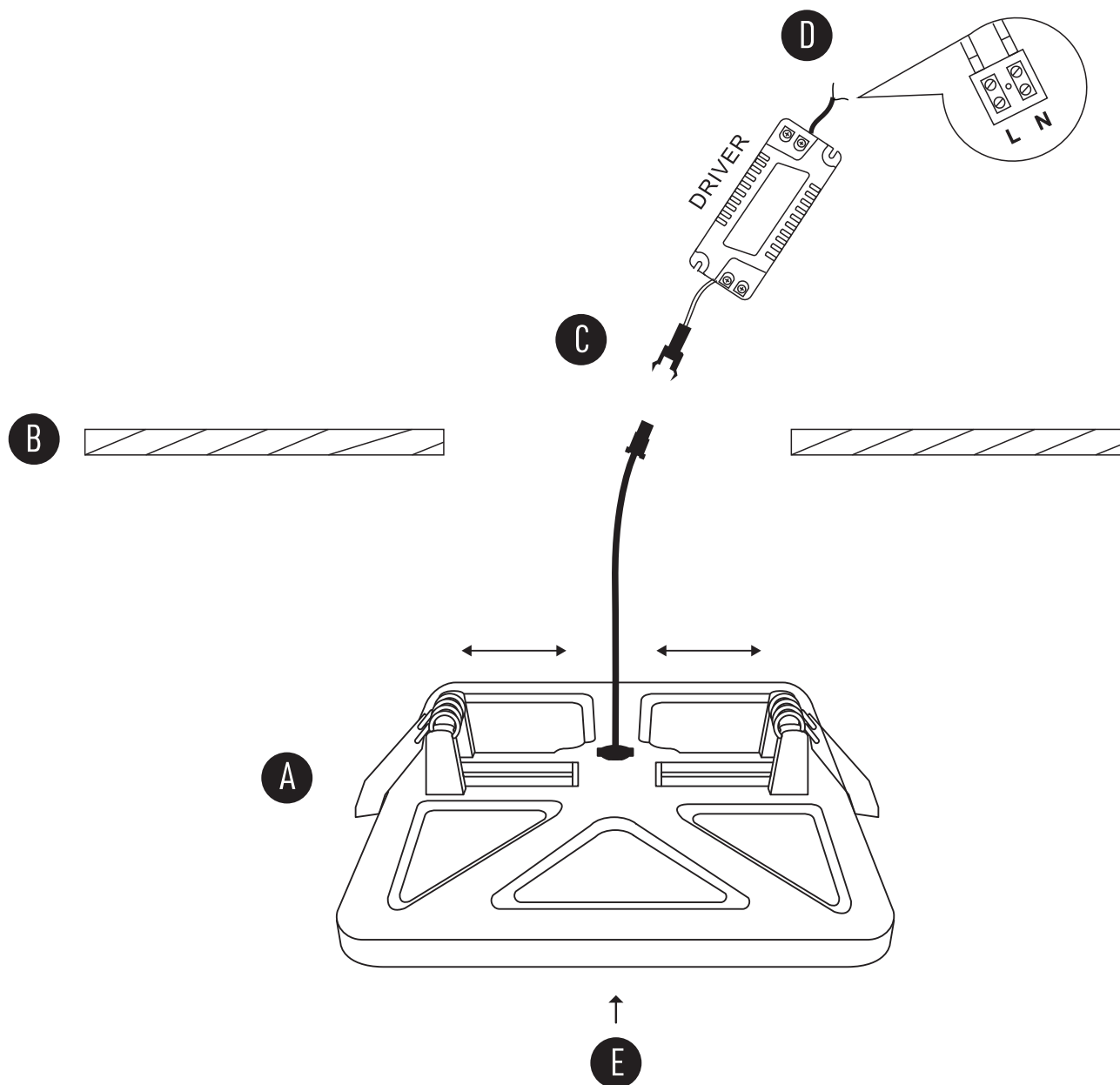
**80**  
CRI



230V | SMD 4014 | 10W | IP20 | Aluminium + PC  
Complete with 250mA driver.



**one**  
LIGHT



### Warnings:

1. Make sure that the product is installed properly before connecting to electricity.
2. Do not cover the fitting.
3. Maintenance and installation should only be carried out by a professional electrician.