

INSTALLATION MANUAL

50110HTR

LED
BUILT IN



DARK
LIGHT

90
CRI

CE EAC UK CA

RoHS
COMPLIANT



NOT
DIMMABLE



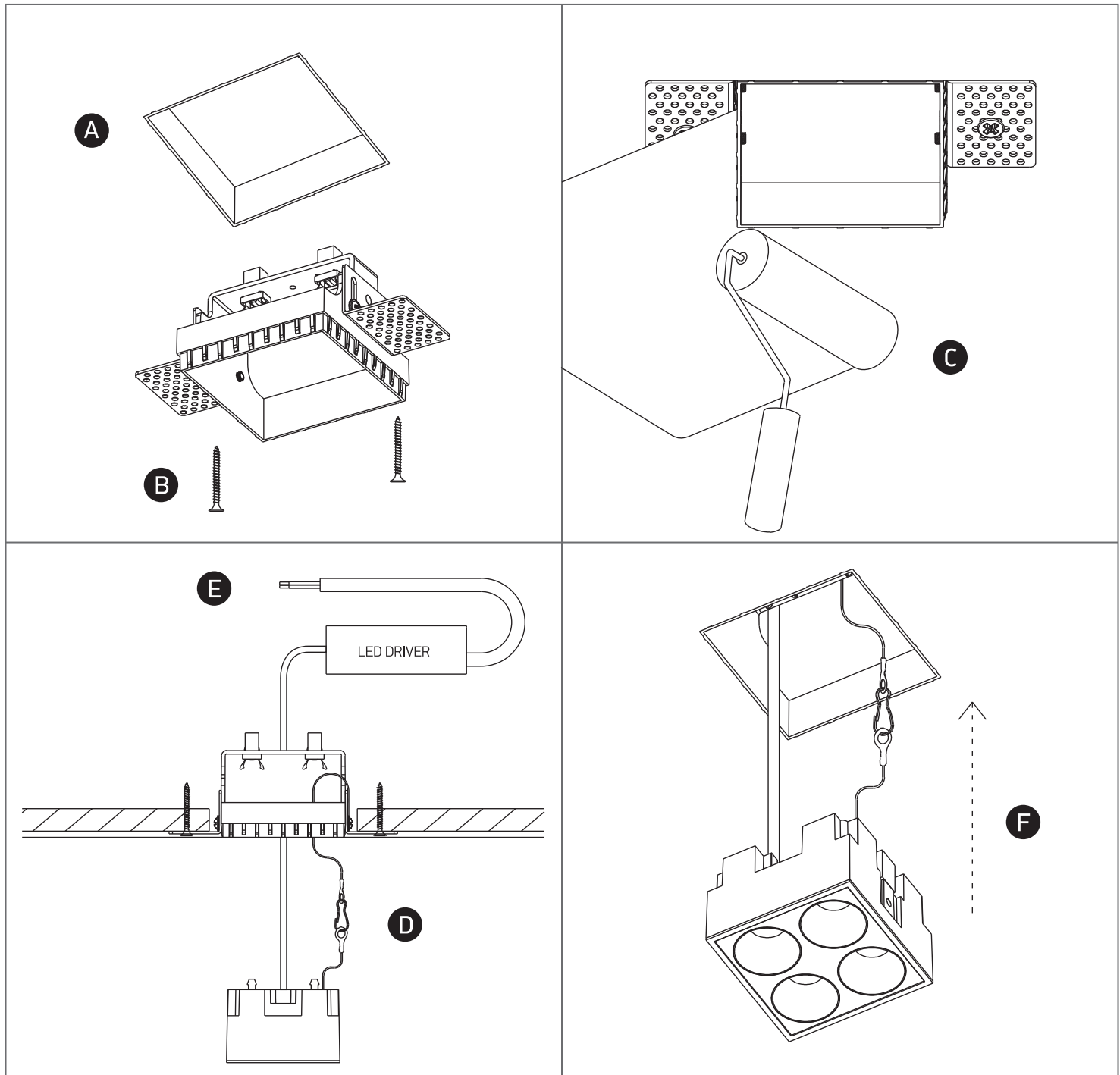
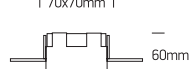
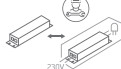
130mm

70x70mm

60mm

one
LIGHT

230V | SMD 3535 | 10W | IP20 | Trimless | Aluminium
Complete with 700mA driver.



Warnings:

1. Make sure that the product is installed properly before connecting to electricity.
2. Do not cover the fitting.
3. Maintenance and installation should only be carried out by a professional electrician.