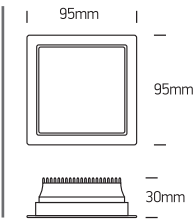


INSTALLATION MANUAL

50110UV

LED BUILT IN    UGR19

CE ENEC UK CA   



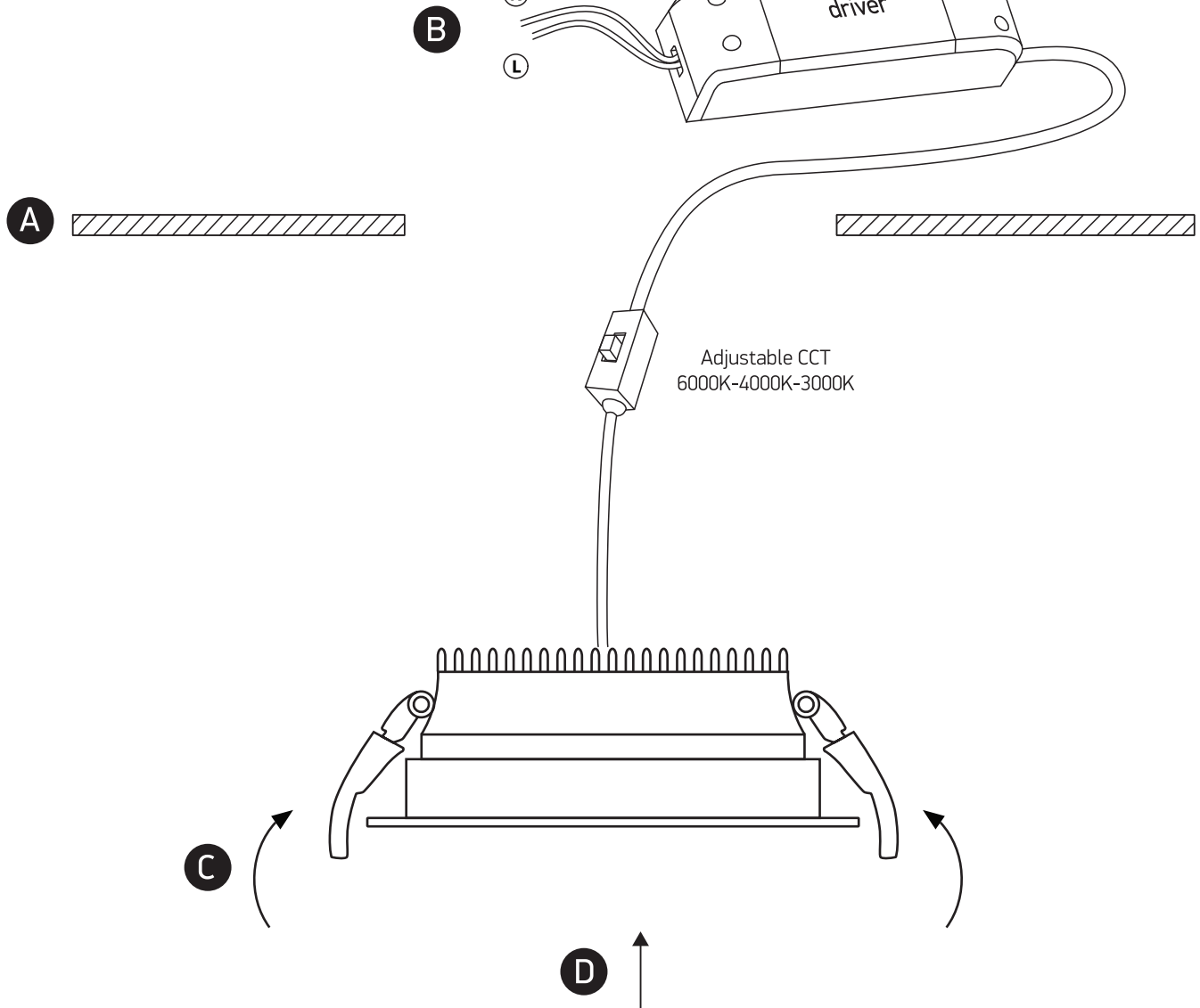
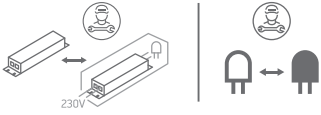
230V | SMD 2835 | 10W | IP44 | Adjustable CCT | Die cast

Complete with 200mA driver.

80 CRI



one
LIGHT



Warnings:

1. Make sure that the product is installed properly before connecting to electricity.
2. Do not cover the fitting.
3. Maintenance and installation should only be carried out by a professional electrician.