

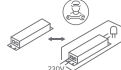
INSTALLATION MANUAL

50114CE

LED
BUILT IN

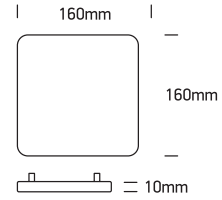


80
CRI

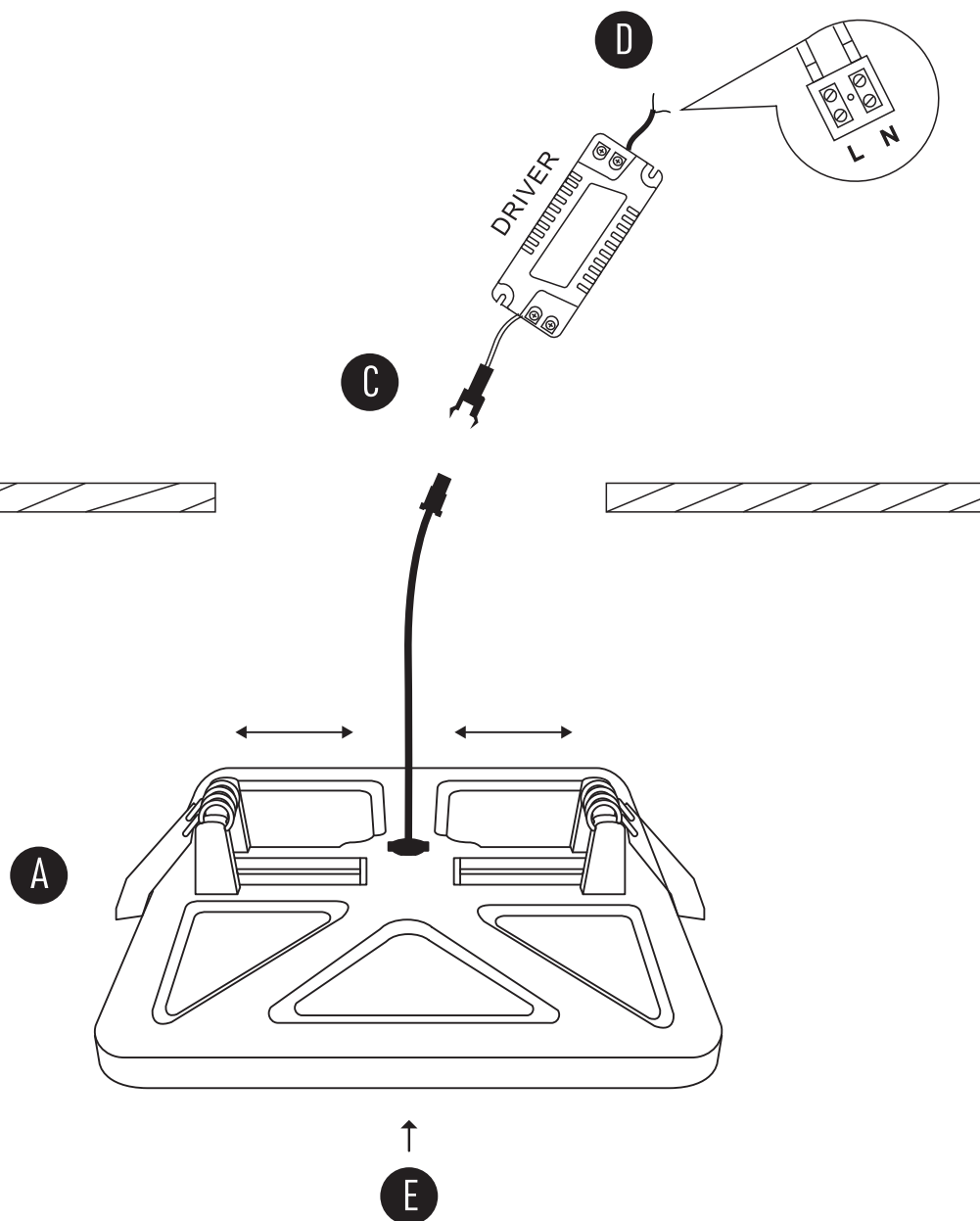


70-140mm

50mm



230V | SMD 4014 | 14W | IP20 | Aluminium + PC
Complete with 300mA driver.



Warnings:

1. Make sure that the product is installed properly before connecting to electricity.
2. Do not cover the fitting.
3. Maintenance and installation should only be carried out by a professional electrician.