

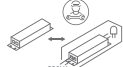
# INSTALLATION MANUAL

## 50120CE

**LED**  
BUILT IN



80  
CRI



70-180mm



200mm

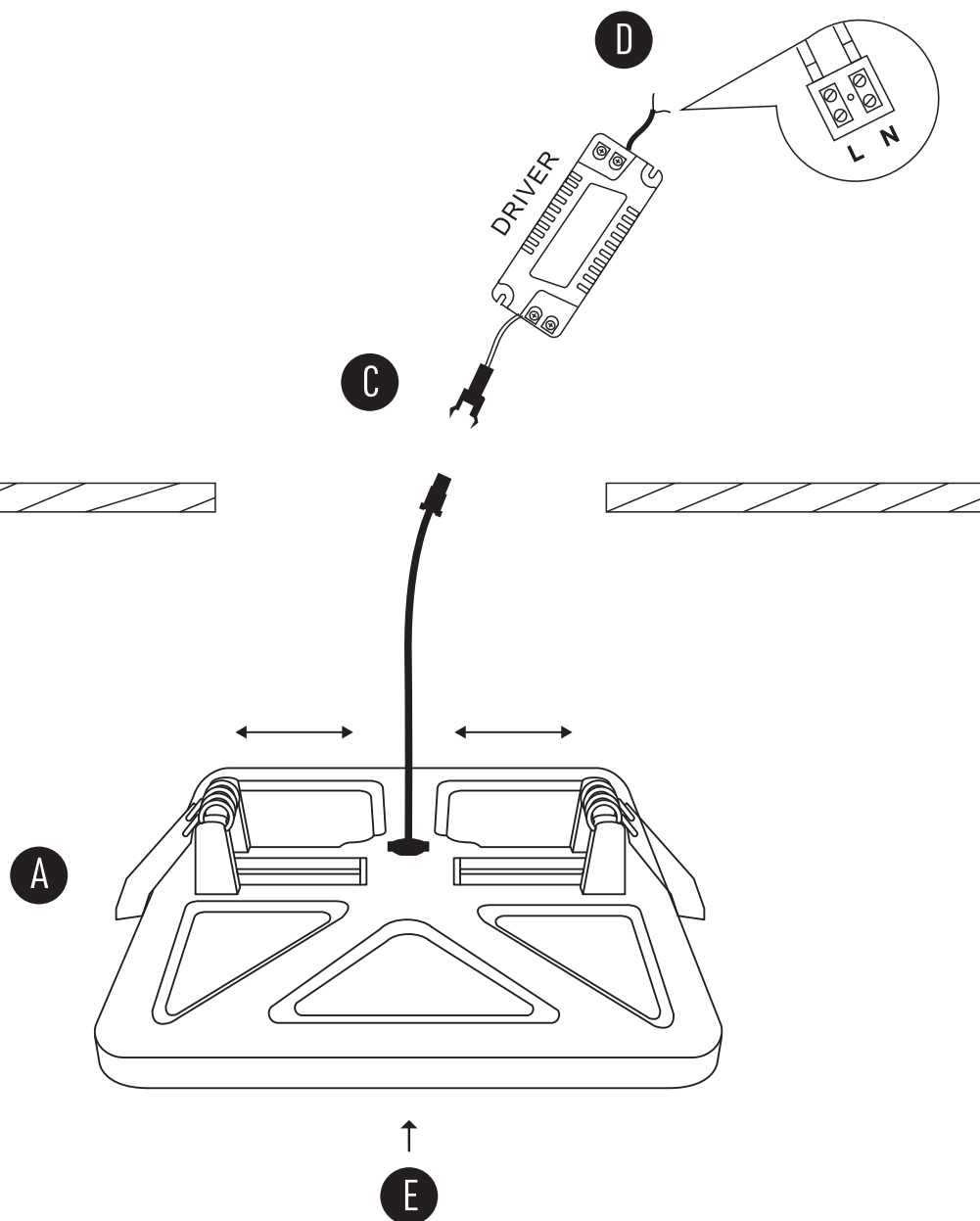


200mm

10mm



230V | SMD 4014 | 20W | IP20 | Aluminium + PC  
Complete with 700mA driver.



### Warnings:

1. Make sure that the product is installed properly before connecting to electricity.
2. Do not cover the fitting.
3. Maintenance and installation should only be carried out by a professional electrician.