

# INSTALLATION MANUAL

50108FA, 50116FA, 50122FA, 50130FA

**ecopanel**

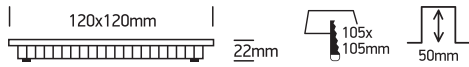


80  
CRI



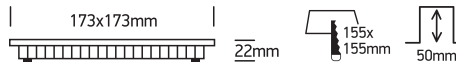
Complete with driver.

**50108FA:** 230V | SMD 2835 | 8W | IP40 | Die cast



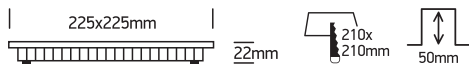
Optional dimmable driver code 89008UT.

**50116FA:** 230V | SMD 2835 | 16W | IP40 | Die cast



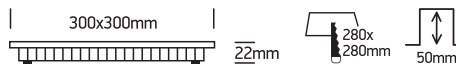
Optional dimmable driver code 89016UT.

**50122FA:** 230V | SMD 2835 | 22W | IP40 | Die cast

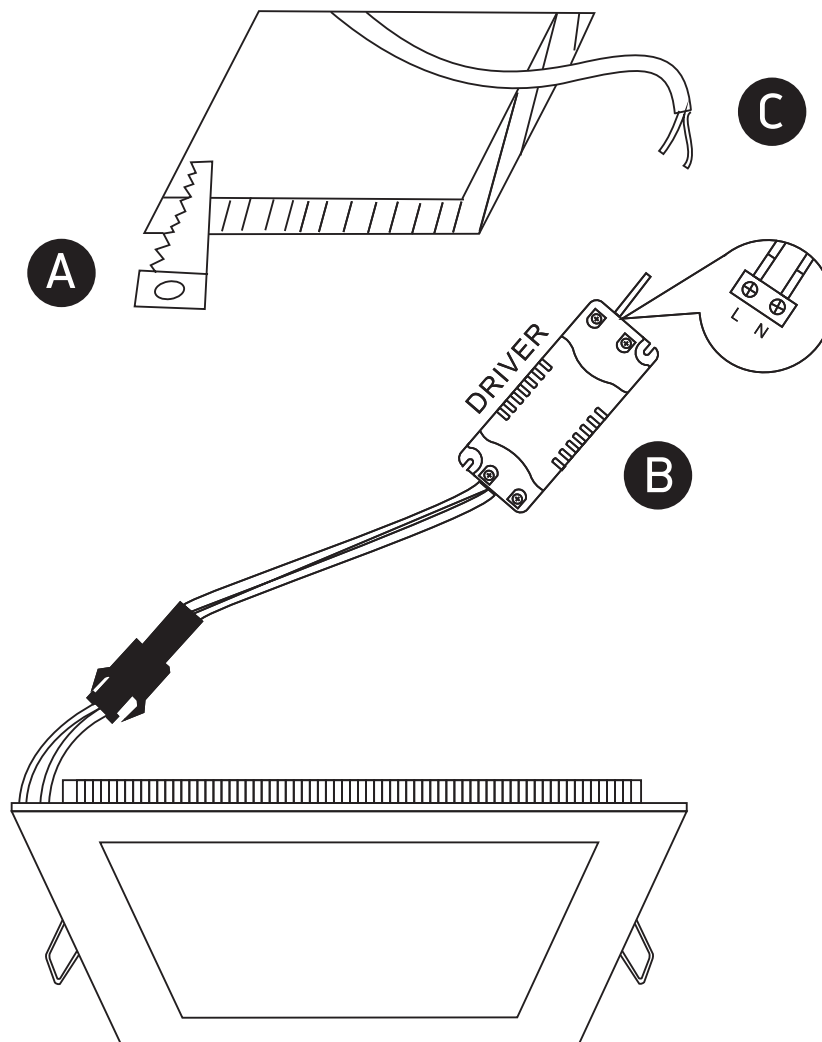
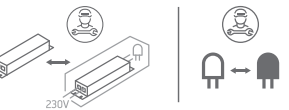


Optional dimmable driver code 89024UT.

**50130FA:** 230V | SMD 2835 | 30W | IP40 | Die cast



Optional dimmable driver code 89030UT.



## Warnings:

1. Make sure that the product is installed properly before connecting to electricity.
2. Do not cover the fitting.
3. Maintenance and installation should only be carried out by a professional electrician.