

# INSTALLATION MANUAL

## 50136RP

ecopanel



UGR19



80 CRI



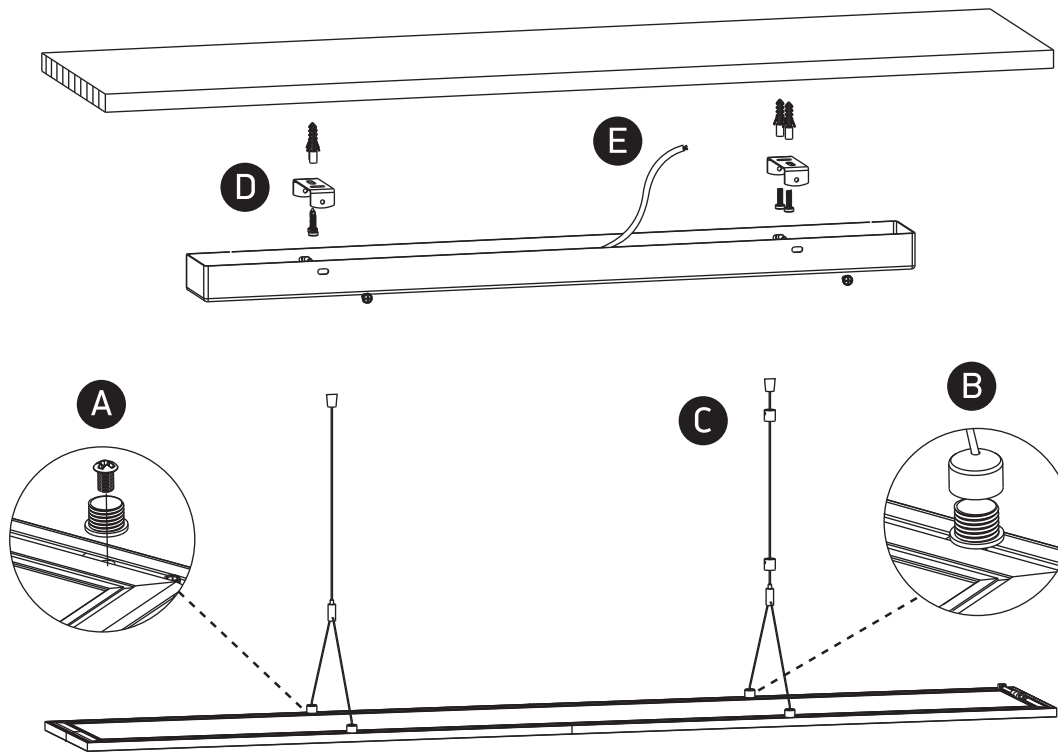
230V | SMD 4014 | 36W | IP40 | Aluminium

Complete with 900mA driver.  
Optional suspension kit. Order code 050150.  
Optional recessed kit (4pcs). Order code 050108B.

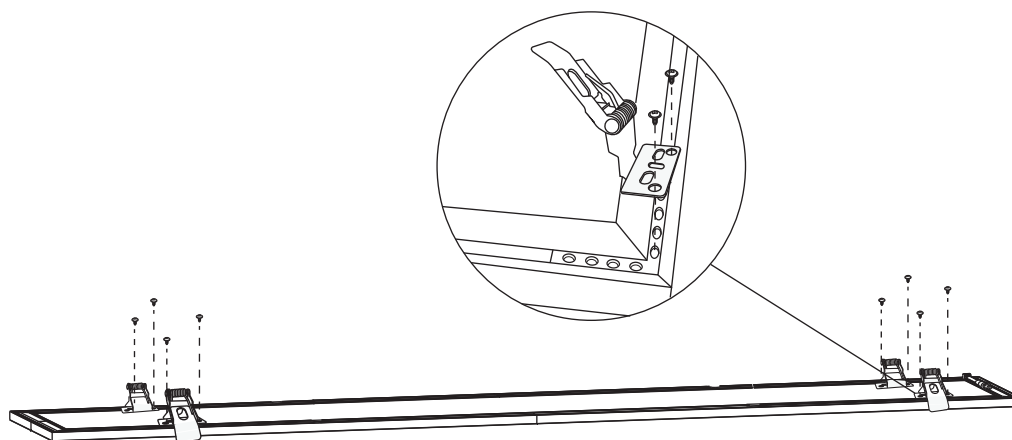
1200mm

145mm

one  
LIGHT



Suspension kit 050150.



Recessed kit 050108B.

### Warnings:

1. Make sure that the product is installed properly before connecting to electricity.
2. Do not cover the fitting.
3. Maintenance and installation should only be carried out by a professional electrician.