

INSTALLATION MANUAL

50140AE

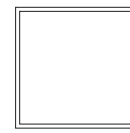
ecopanel



80
CRI



620mm



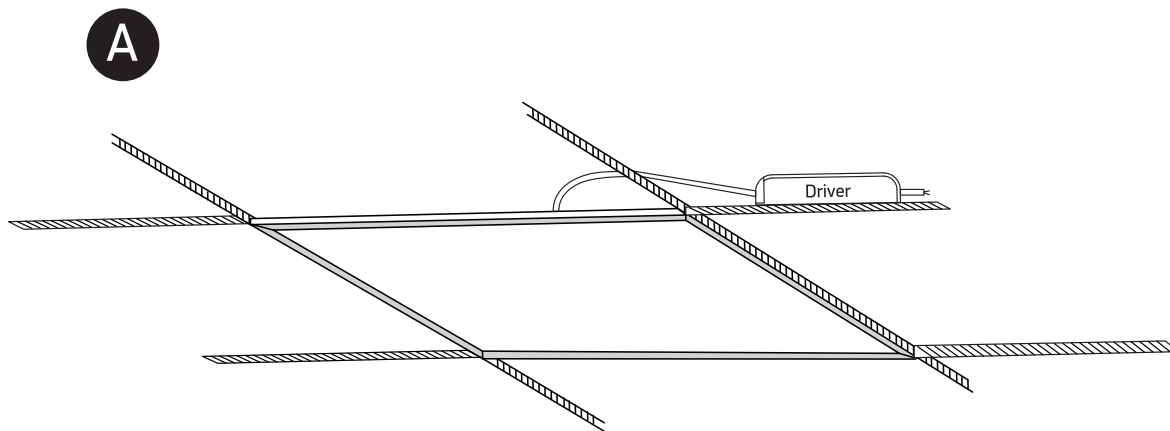
620mm

one
LIGHT

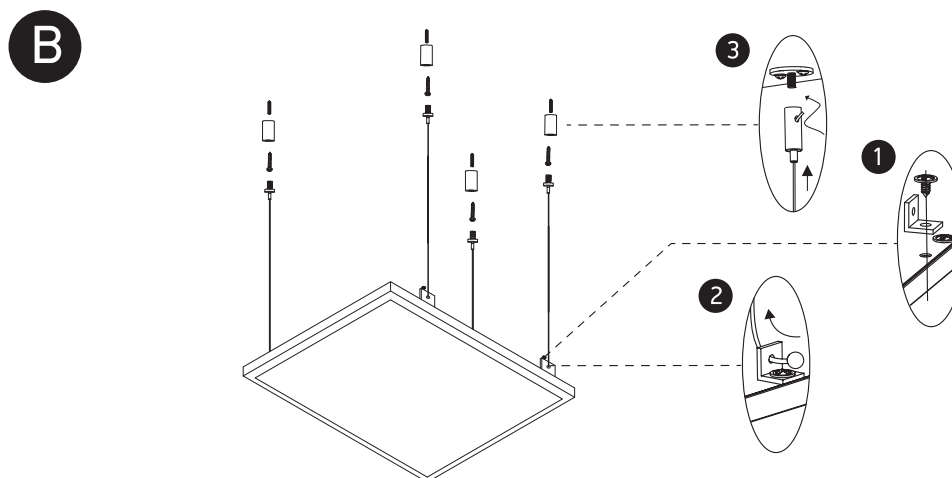
950mA | SMD 2835 | 40W | IP20 | Aluminium

D A Germany / Austria

Driver must be ordered separately.
Optional suspension kit.
Order code 050017.



Recessed fitting for 620x620mm T-rail false ceilings.



Ceiling mount suspended applications using optional kit 050017.

Warnings:

1. Make sure that the product is installed properly before connecting to electricity.
2. Do not cover the fitting.
3. Maintenance and installation should only be carried out by a professional electrician.