

# INSTALLATION MANUAL

## 50140B

**ecopanel**



80  
CRI

CE

RoHS  
COMPLIANT



NOT  
DIMMABLE

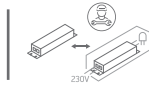
595mm



595mm

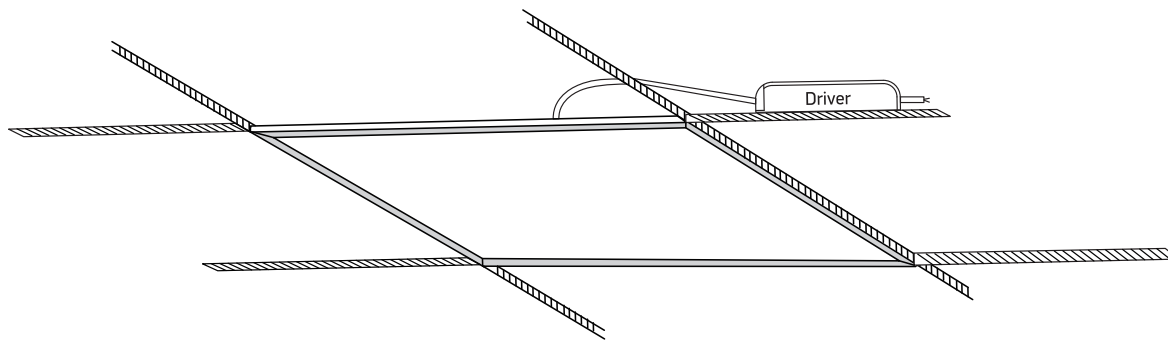
29mm

230V | SMD 2835 | 40W | IP20 | Aluminium + Steel  
Complete with 850mA driver.

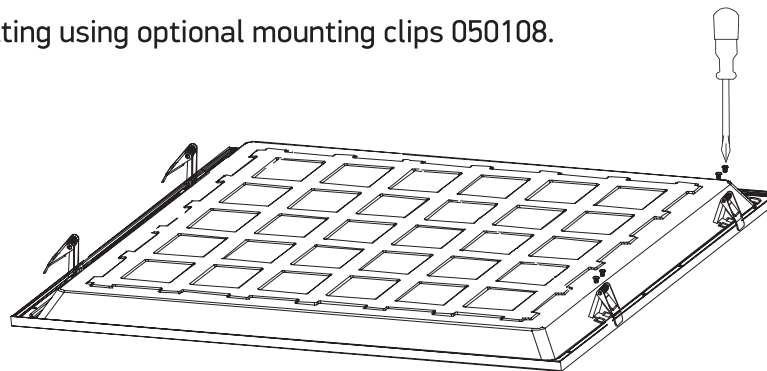


**one**  
LIGHT

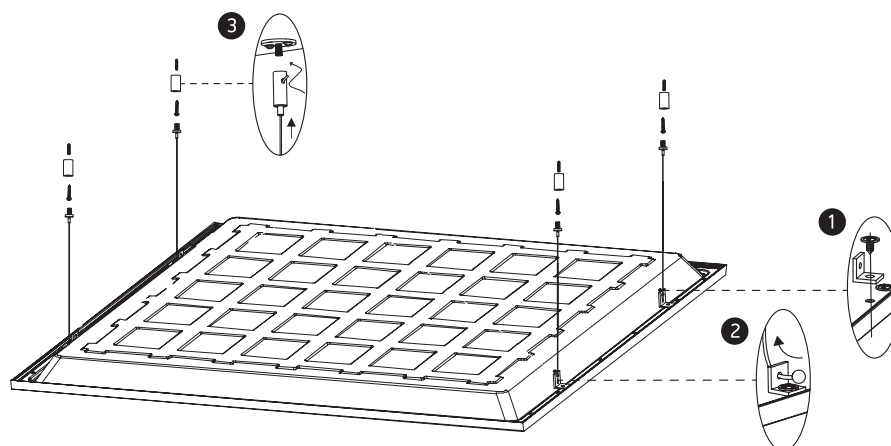
### A Recessed fitting for 600x600mm T-rail false ceilings.



### B Mounting fitting using optional mounting clips 050108.



### C Ceiling mount suspended applications using optional kit 050017.



#### Warnings:

1. Make sure that the product is installed properly before connecting to electricity.
2. Do not cover the fitting.
3. Maintenance and installation should only be carried out by a professional electrician.