

INSTALLATION MANUAL

50140BR

ecopanel

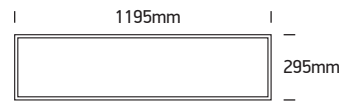


230V | SMD 2835 | 40W | IP20 | Aluminium + Steel

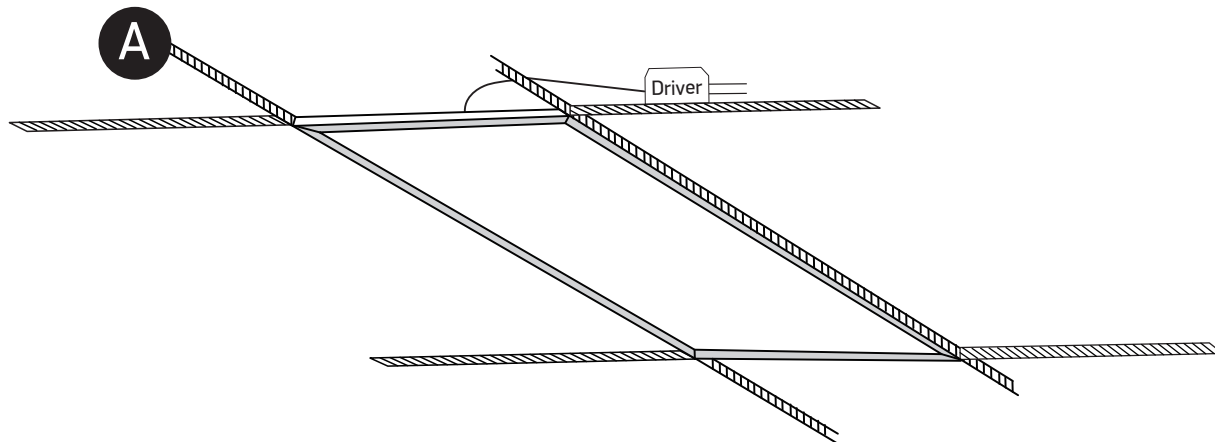
Complete with 1000mA driver. Optional suspension kit.

Order code 050017. Optional clips for recessed installation. Order code 050108 (2 Sets).

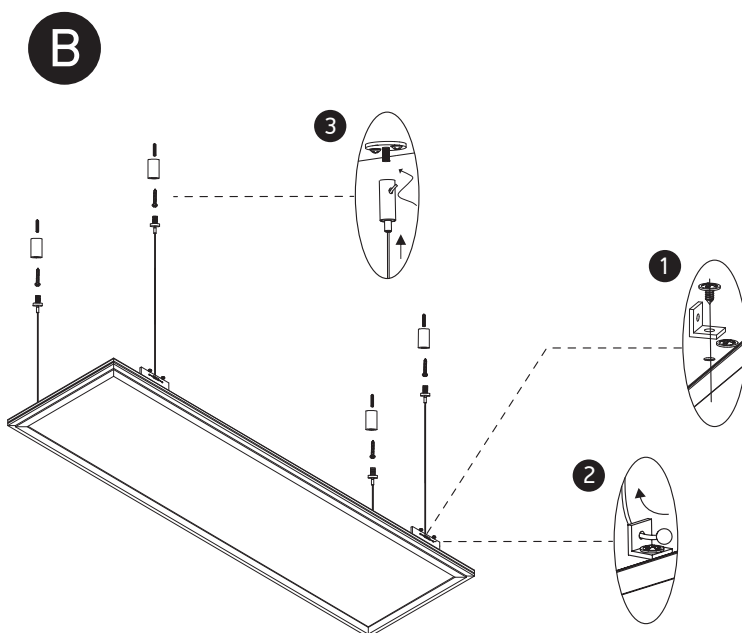
80
CRI



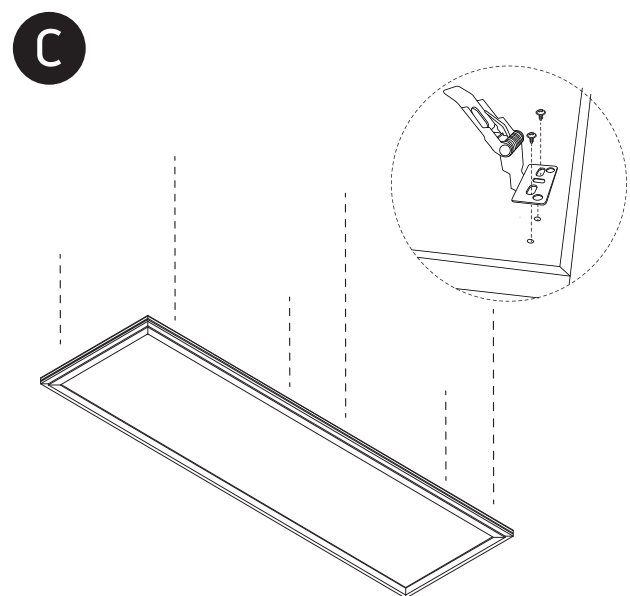
one
LIGHT



Recessed fitting for 1200x300mm T-rail false ceilings



Ceiling mount suspended applications
using optional kit 050017.



Recessed mount applications
using optional kit 050108 (2 Sets).

Warnings:

1. Make sure that the product is installed properly before connecting to electricity.
2. Do not cover the fitting.
3. Maintenance and installation should only be carried out by a professional electrician.

INSTALLATION MANUAL

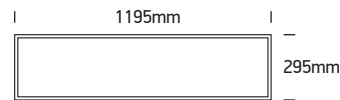
50140BR

ecopanel



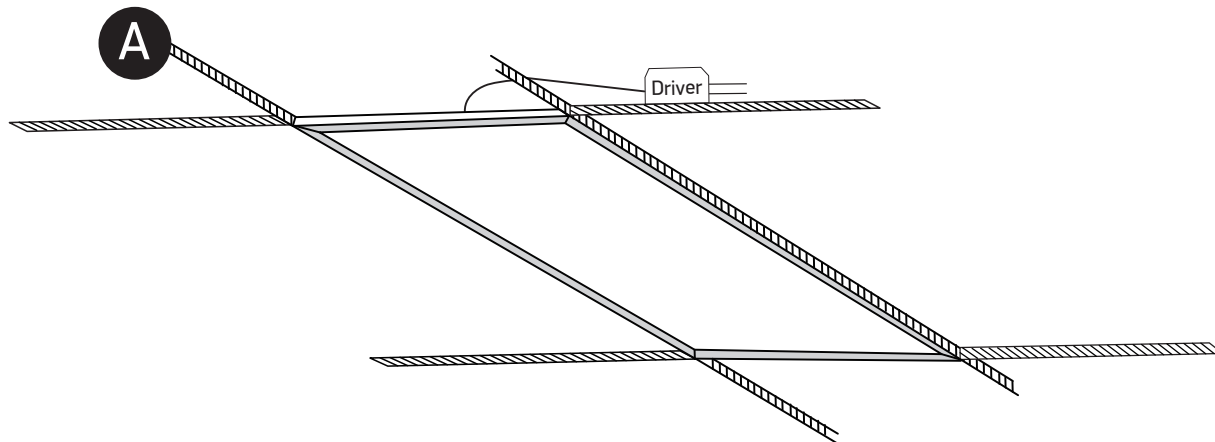
230V | SMD 2835 | 40W | IP20 | Aluminium + Steel

80
CRI

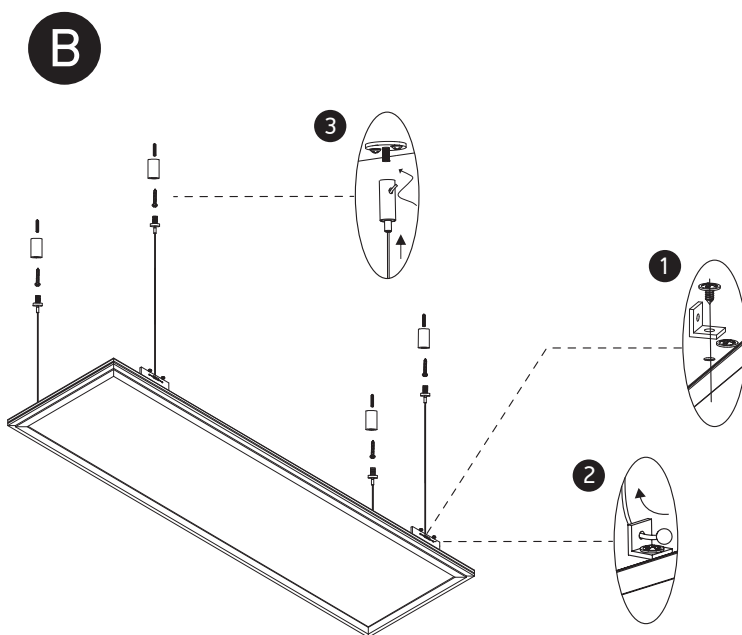


one
LIGHT

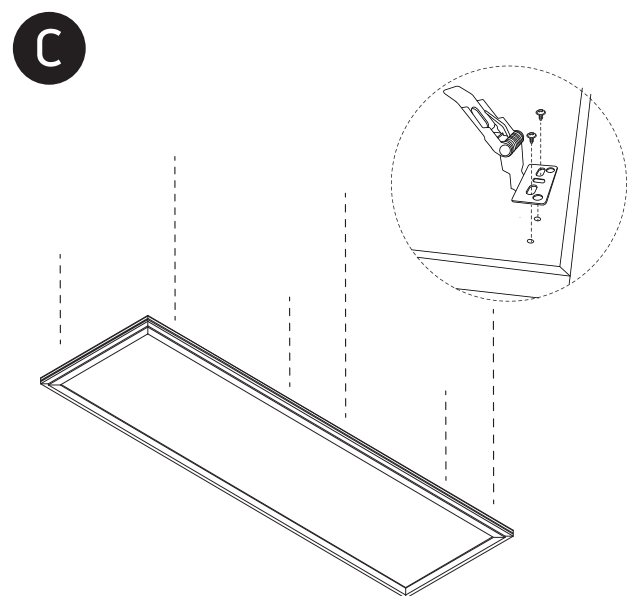
Complete with 1000mA driver. Optional suspension kit. Order code 050017. Optional clips for recessed installation. Order code 050108 (2 Sets).



Recessed fitting for 1200x300mm T-rail false ceilings



Ceiling mount suspended applications
using optional kit 050017.



Recessed mount applications
using optional kit 050108 (2 Sets).

Warnings:

1. Make sure that the product is installed properly before connecting to electricity.
2. Do not cover the fitting.
3. Maintenance and installation should only be carried out by a professional electrician.