

# INSTALLATION MANUAL

50160E

ecopanel

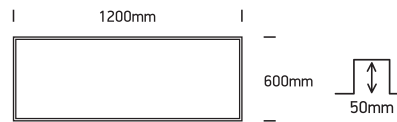


80  
CRI

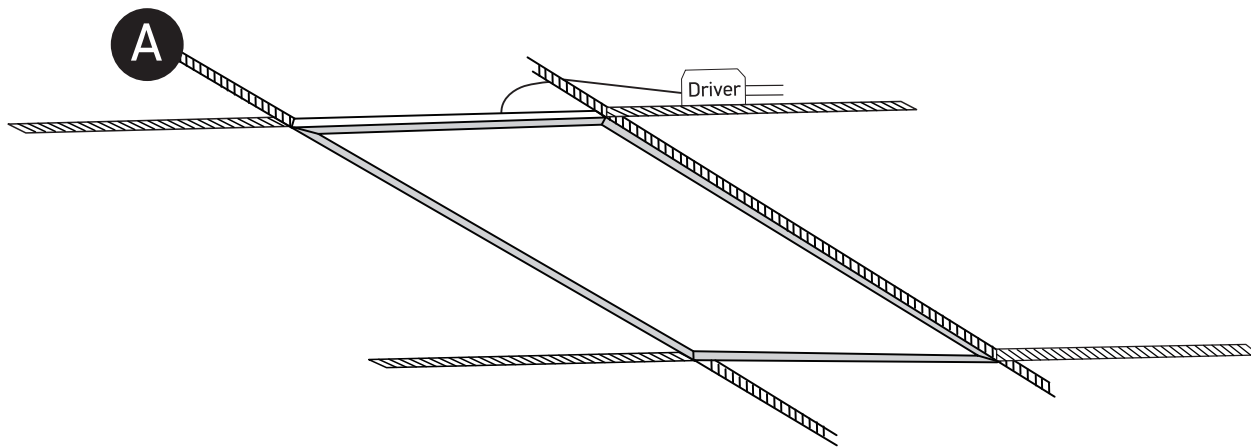


1300mA | 60W | IP20 | Aluminium

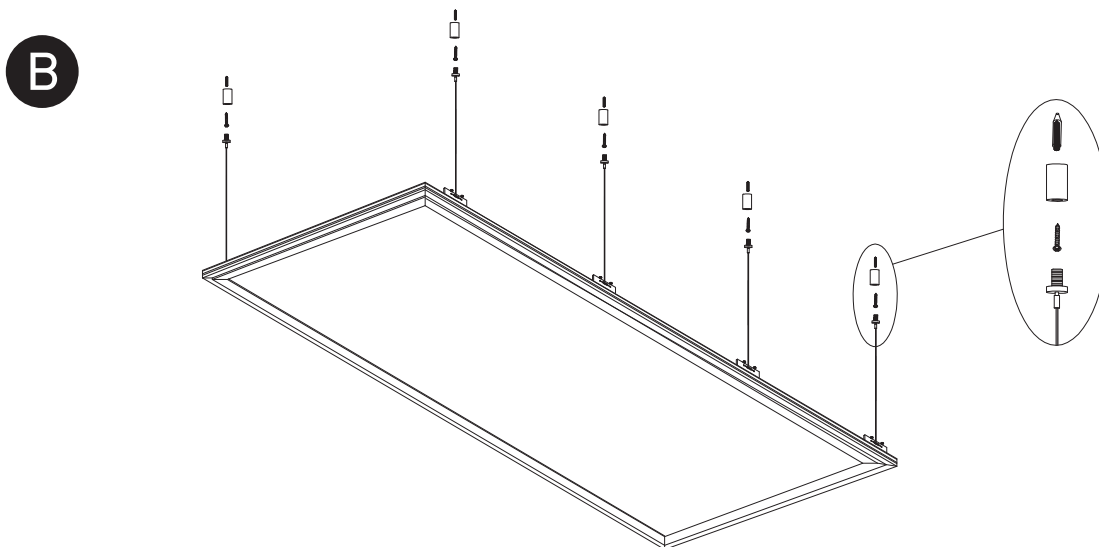
Driver must be ordered separately.  
Optional suspension kit.  
Order code 050017 (x2).



one  
LIGHT



Recessed fitting for 1200x600mm T-rail false ceilings



Ceiling mount suspended applications using optional kit 050017 (x2).

## Warnings:

1. Make sure that the product is installed properly before connecting to electricity.
2. Do not cover the fitting.
3. Maintenance and installation should only be carried out by a professional electrician.