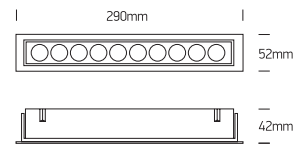


INSTALLATION MANUAL

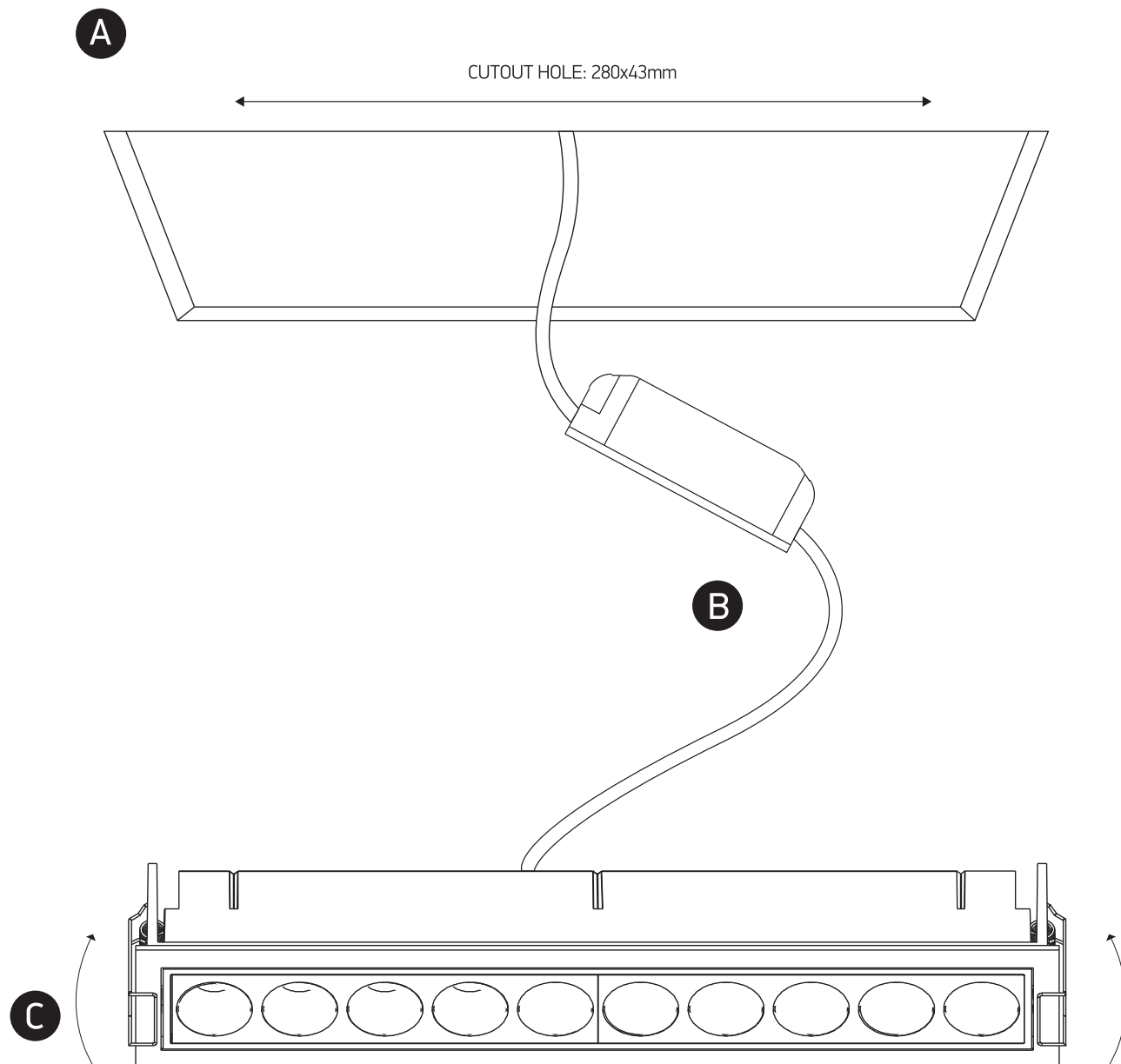
51024H

LED BUILT IN   DARK LIGHT  ADJUSTABLE | 90 CRI | CE ENEC UK CA RoHS COMPLIANT   

230V | SMD 3535 | 24W | IP20 | Adjustable | Aluminium
Complete with 700mA driver.



one
LIGHT



Warnings:

1. Make sure that the product is installed properly before connecting to electricity.
2. Do not cover the fitting.
3. Maintenance and installation should only be carried out by a professional electrician.