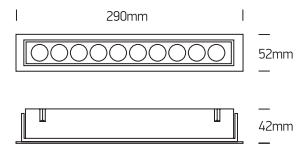


# INSTALLATION MANUAL

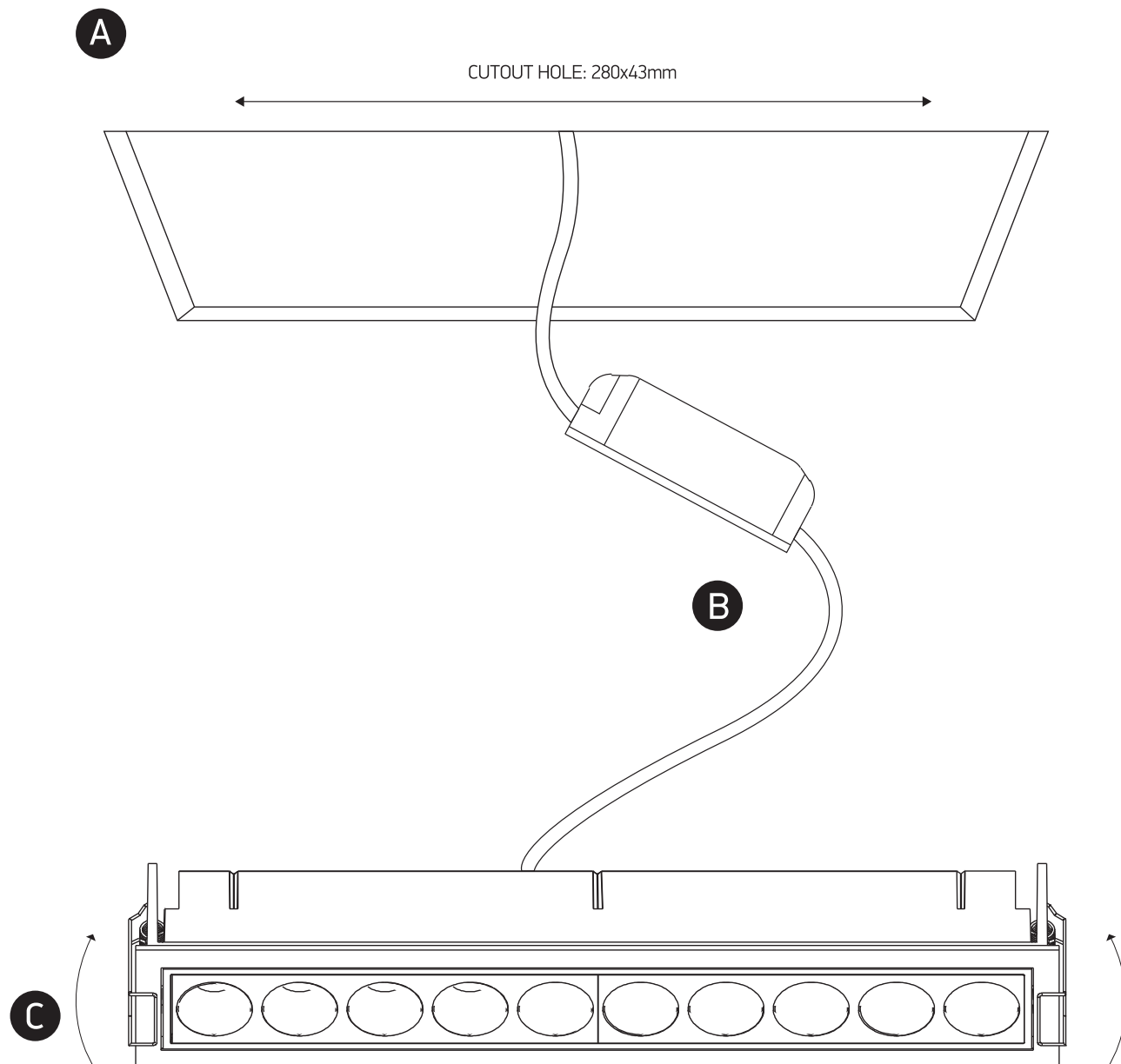
## 51024H

LED BUILT IN   DARK LIGHT  ADJUSTABLE | 90 CRI | CE EAC UK CA RoHS   

230V | SMD 3535 | 24W | IP20 | Adjustable | Aluminium  
Complete with 700mA driver.



**one**  
LIGHT



### Warnings:

1. Make sure that the product is installed properly before connecting to electricity.
2. Do not cover the fitting.
3. Maintenance and installation should only be carried out by a professional electrician.