

INSTALLATION MANUAL

38104B, 38108B, 38114B

ecolight

**80
CRI**


Complete with driver.

one
LIGHT

38104B

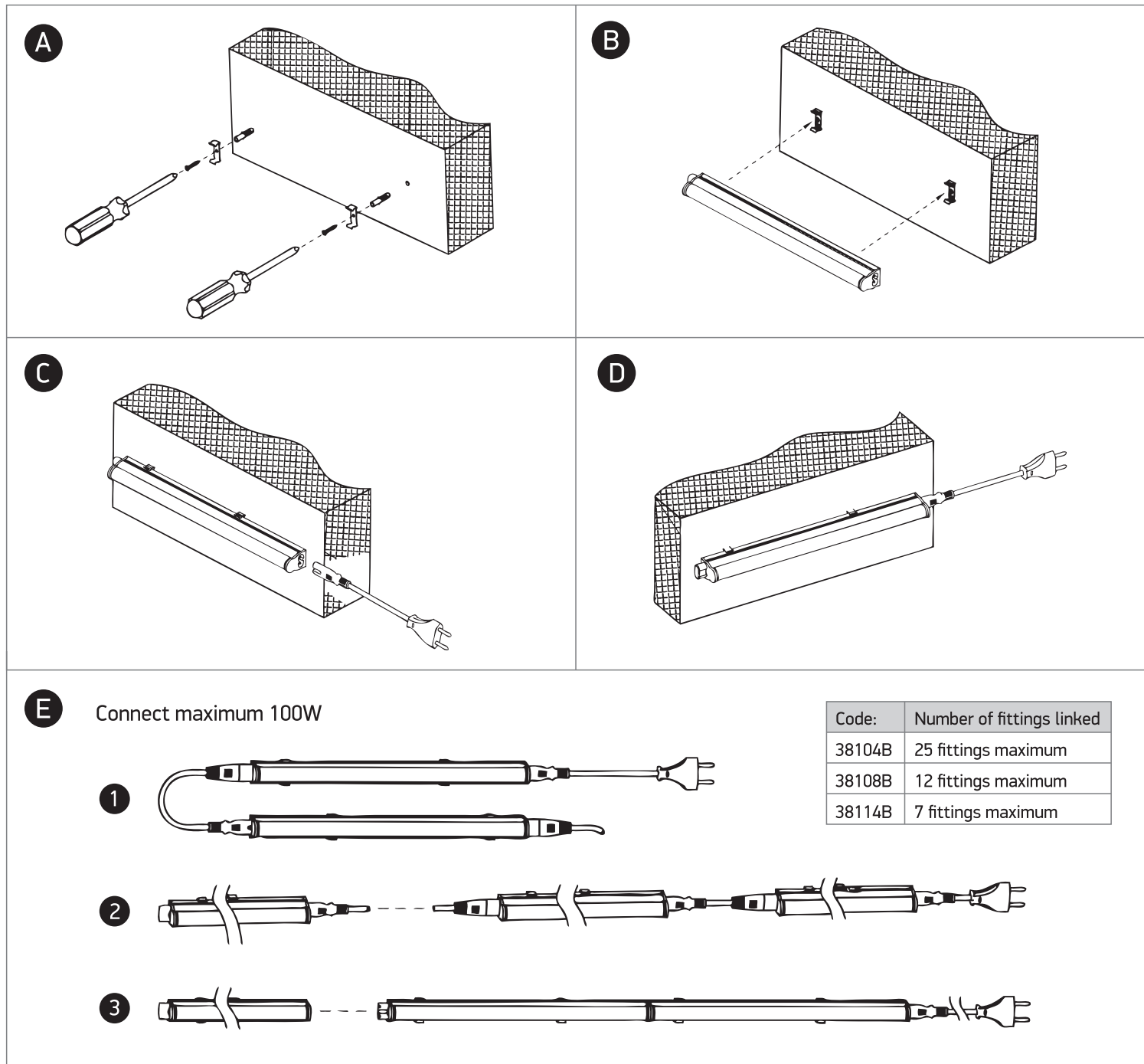
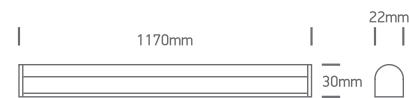
4W | SMD 2835 | 230V | 50Hz | IP20 | Plastic


38108B:

8W | SMD 2835 | 230V | 50Hz | IP20 | Plastic


38114B:

14W | SMD 2835 | 230V | 50Hz | IP20 | Plastic



Warnings:

1. Make sure that the product is installed properly before connecting to electricity.
2. Do not cover the fitting.
3. Maintenance and installation should only be carried out by a professional electrician.