

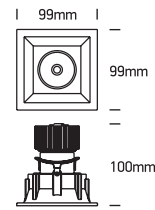
# INSTALLATION MANUAL

## 51110C

**ecolight**



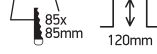
**DARK LIGHT**  
ADJUSTABLE



230V | 10W | IP20 | Die cast | Adjustable

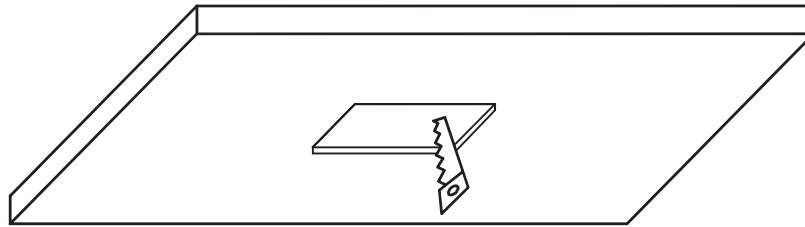
Complete with driver.

80  
CRI



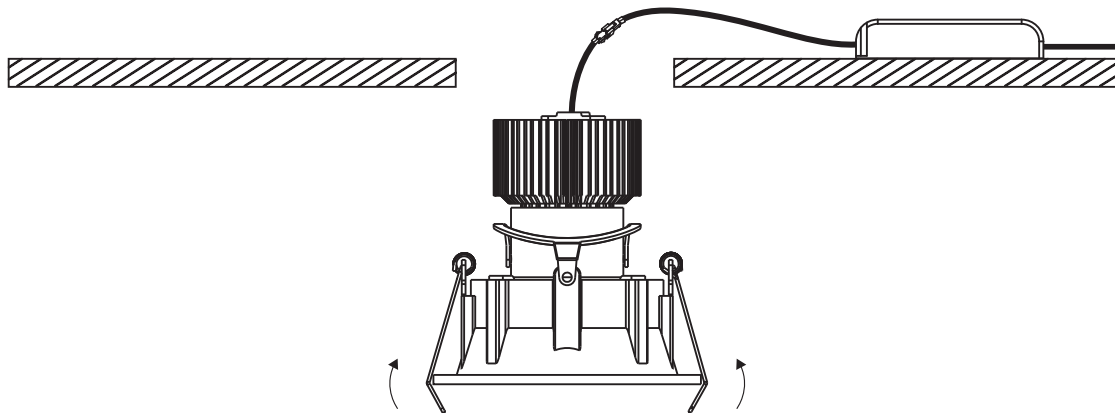
**one**  
LIGHT

**A**

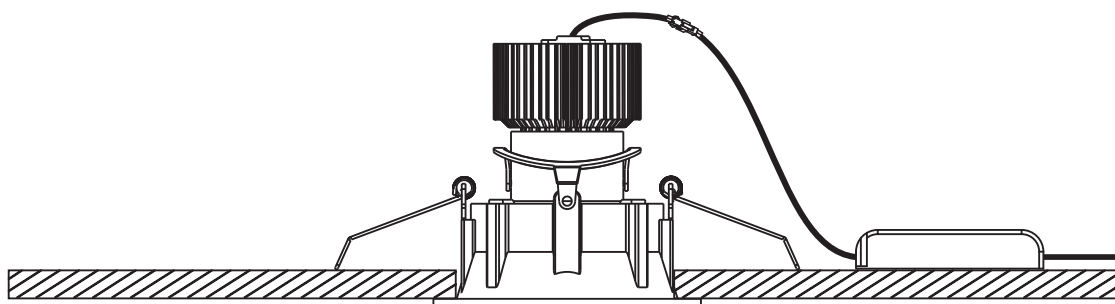


CUTOUT HOLE: 85x85mm

**B**



**C**



### Warnings:

1. Make sure that the product is installed properly before connecting to electricity.
2. Do not cover the fitting.
3. Maintenance and installation should only be carried out by a professional electrician.