

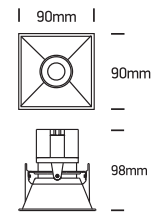
INSTALLATION MANUAL

51111C

ecolight

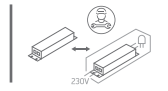


DARK LIGHT
ADJUSTABLE

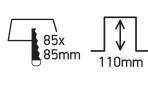


230V | COB LED | 11W | IP20 | Die cast | Adjustable

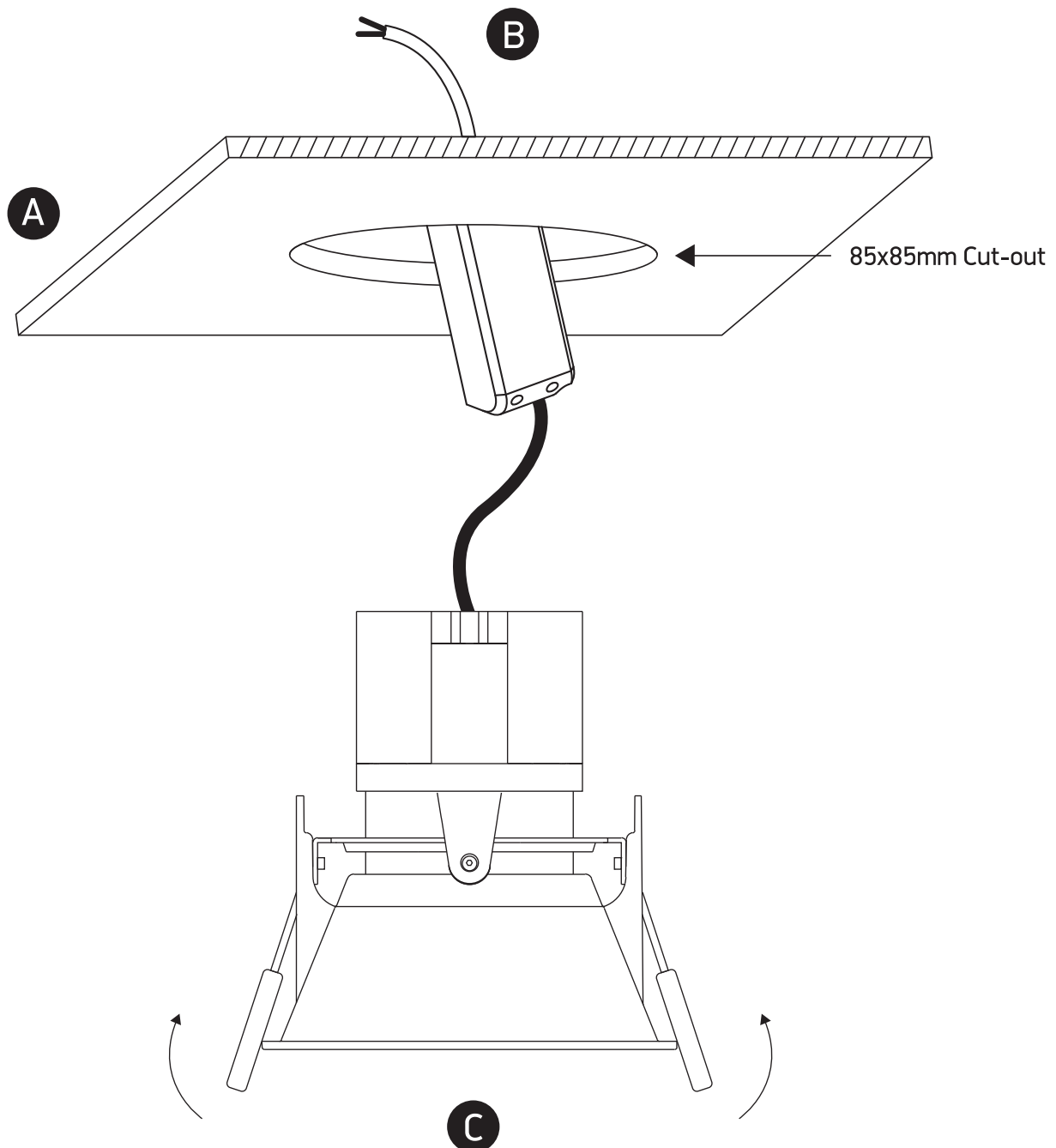
Complete with 250mA driver.
Complete with Black & Brass reflectors.



90 CRI



one
LIGHT



Warnings:

1. Make sure that the product is installed properly before connecting to electricity.
2. Do not cover the fitting.
3. Maintenance and installation should only be carried out by a professional electrician.