

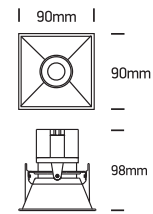
# INSTALLATION MANUAL

## 51111C

**ecolight**

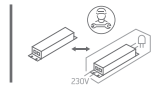


**DARK LIGHT**  
ADJUSTABLE

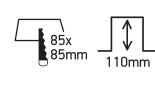


230V | COB LED | 11W | IP20 | Die cast | Adjustable

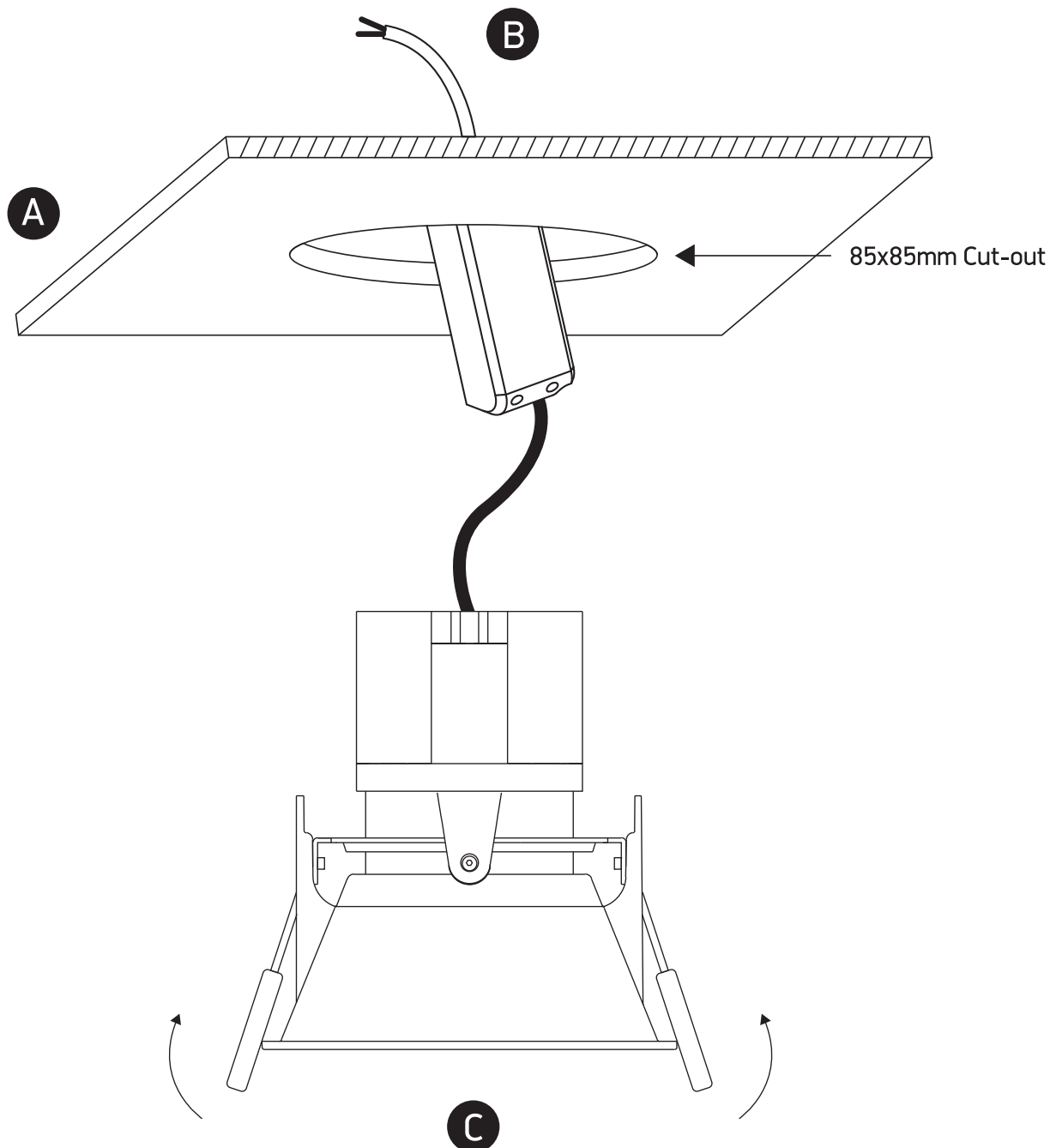
Complete with 250mA driver.  
Complete with Black & Brass reflectors.



**90 CRI**



**one**  
LIGHT



### Warnings:

1. Make sure that the product is installed properly before connecting to electricity.
2. Do not cover the fitting.
3. Maintenance and installation should only be carried out by a professional electrician.