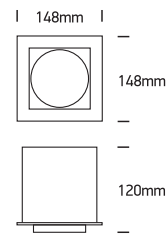


INSTALLATION MANUAL

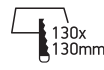
51125

ecodownlight

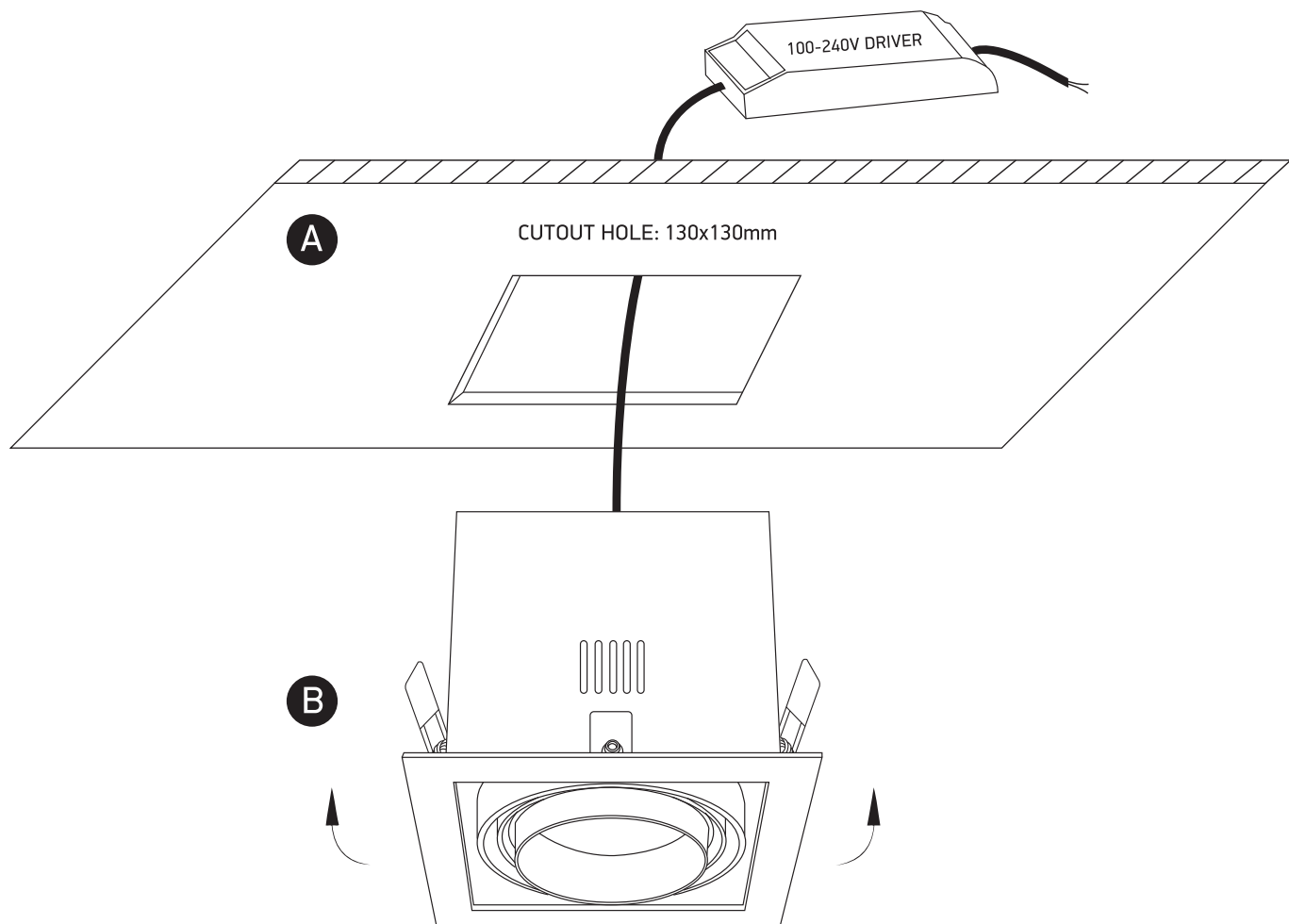


100-240V | 25W | IP20 | Die cast

Complete with driver



one
LIGHT



Warnings:

1. Make sure that the product is installed properly before connecting to electricity.
2. Do not cover the fitting.
3. Maintenance and installation should only be carried out by a professional electrician.