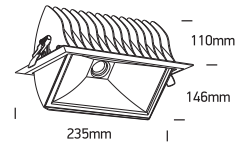
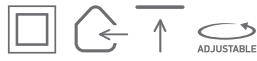


INSTALLATION MANUAL

51140

ecodownlight

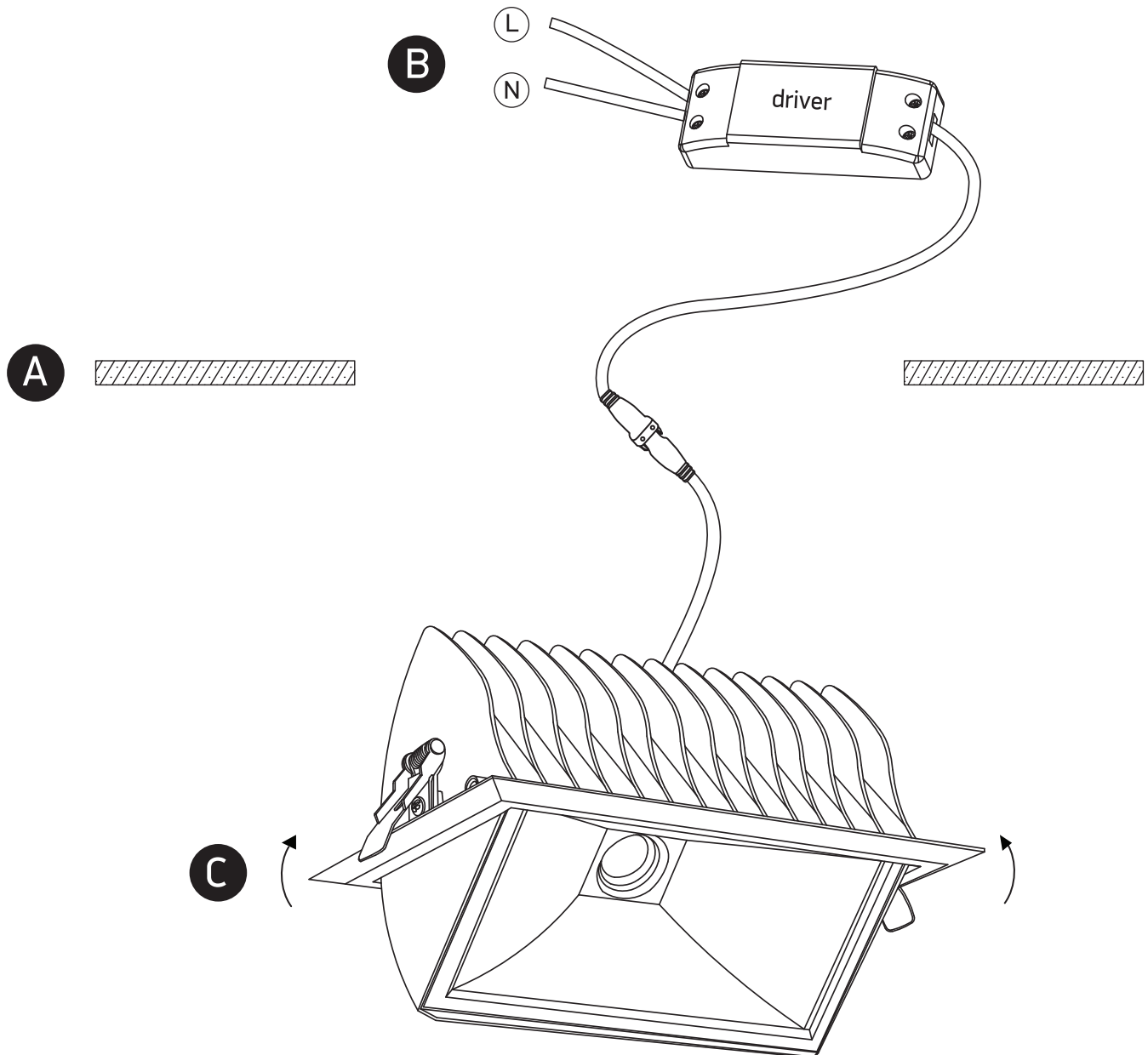


230V | 40W | IP20 | Aluminium
Complete with 1050mA driver.



80
CRI

one
LIGHT



Warnings:

1. Make sure that the product is installed properly before connecting to electricity.
2. Do not cover the fitting.
3. Maintenance and installation should only be carried out by a professional electrician.