

# INSTALLATION MANUAL

## 51206M

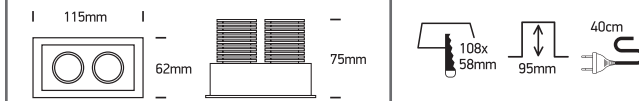
**ecolight**



90  
CRI



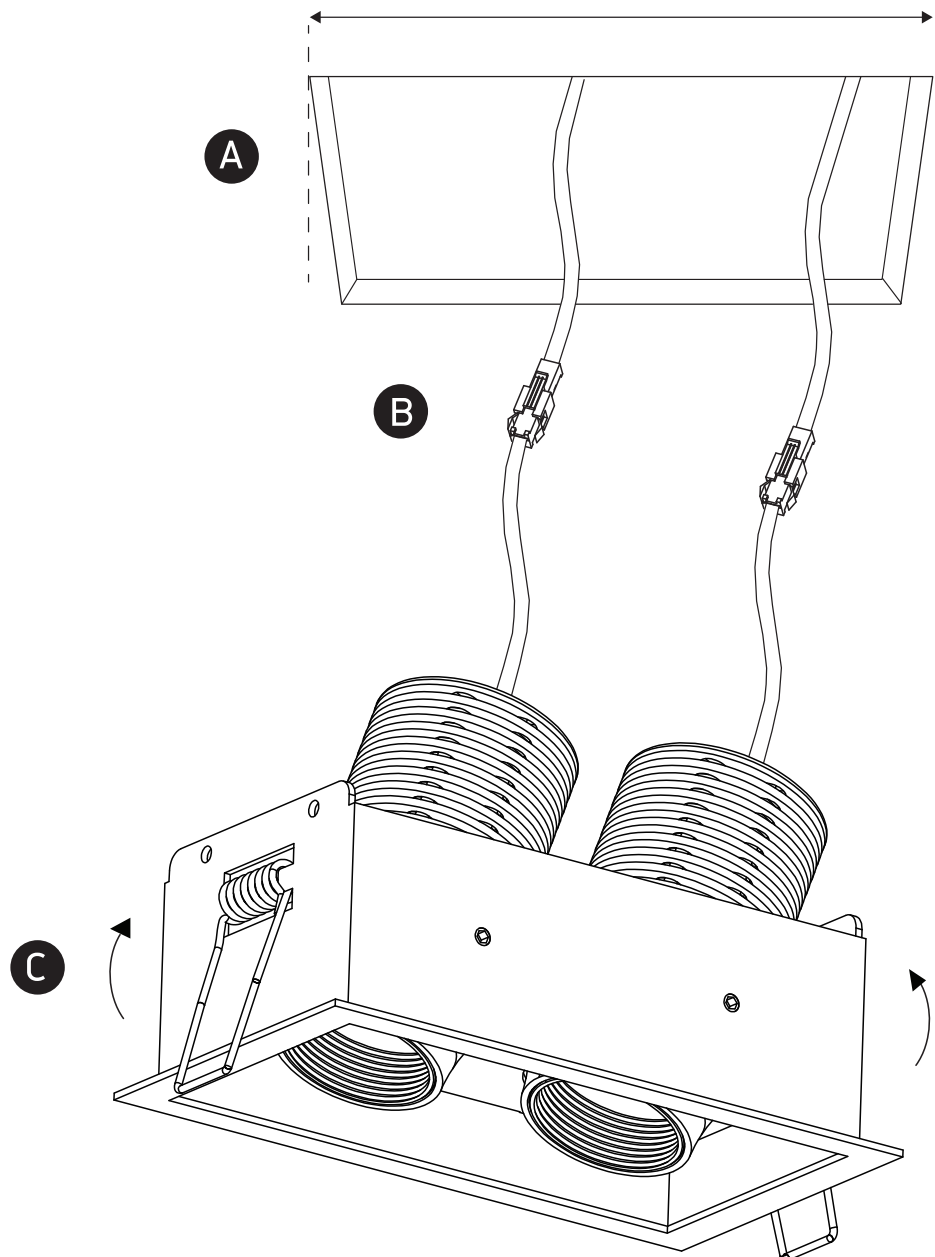
350mA | COB LED | 2x6W | IP20 | Die cast | Adjustable  
Requires 2x350mA drivers.



**one**  
LIGHT



CUTOUT HOLE: 108x58mm



### Warnings:

1. Make sure that the product is installed properly before connecting to electricity.
2. Do not cover the fitting.
3. Maintenance and installation should only be carried out by a professional electrician.