

# INSTALLATION MANUAL

## 51212E

**ecolight**

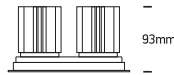
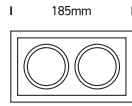


90  
CRI

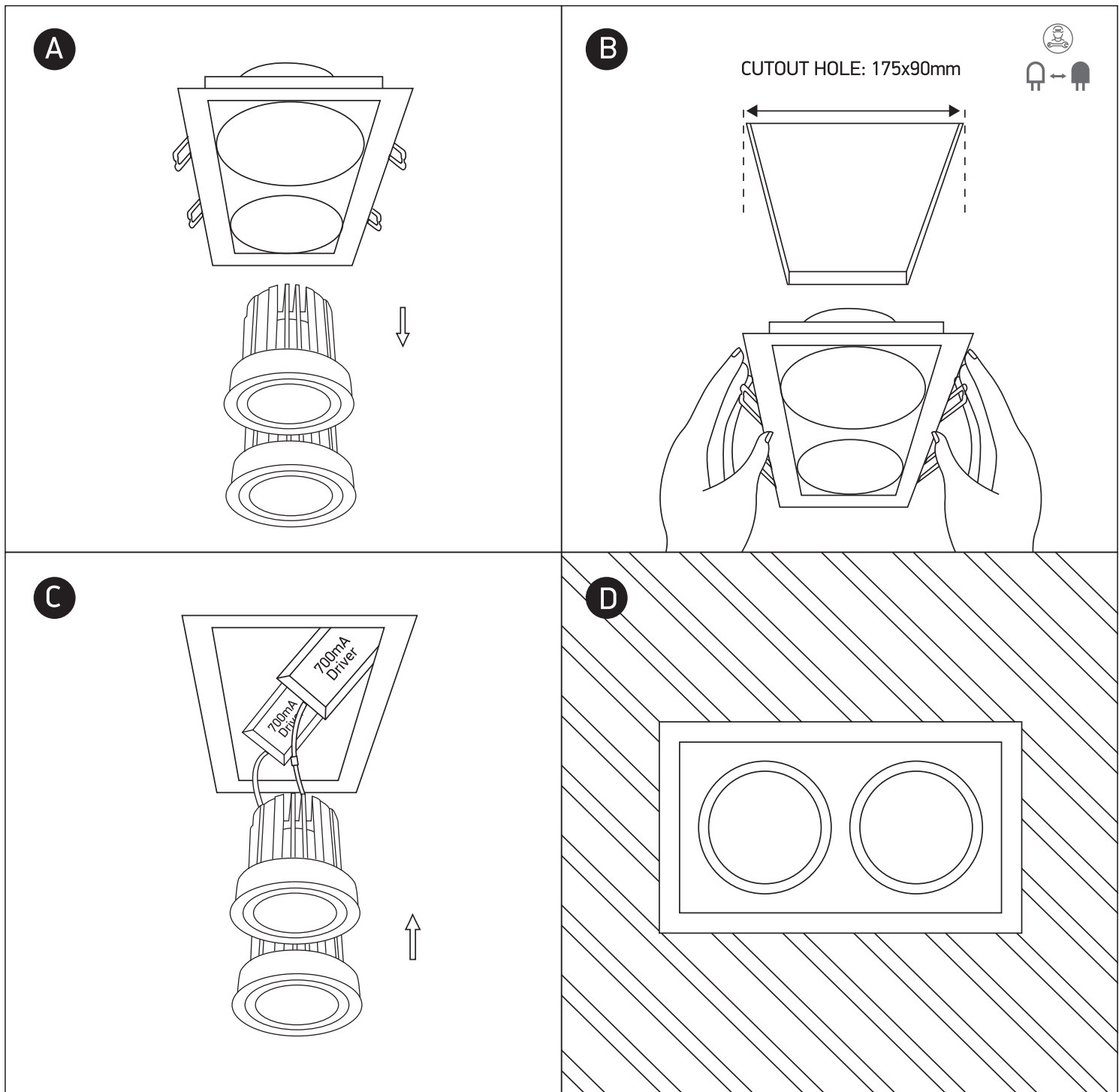


700mA | COB LED | 2x12W | IP44 | Die cast | Adjustable

Requires 700mA driver.



**one**  
LIGHT



### Warnings:

1. Make sure that the product is installed properly before connecting to electricity.
2. Do not cover the fitting.
3. Maintenance and installation should only be carried out by a professional electrician.