

INSTALLATION MANUAL

51306M

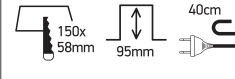
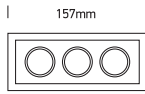
ecolight



90
CRI



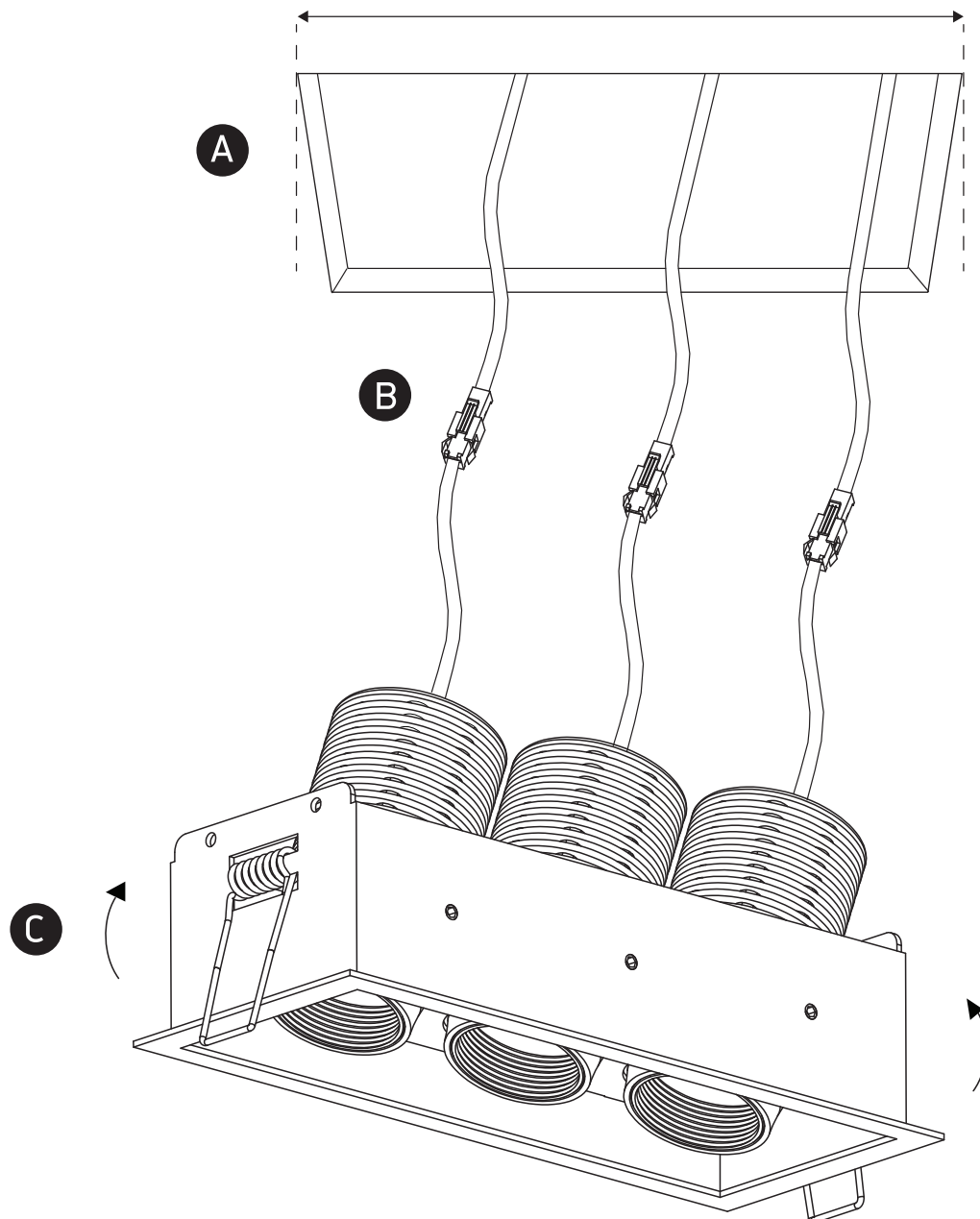
350mA | COB LED | 3x6W | IP20 | Die cast | Adjustable
Requires 3x350mA drivers.



one
LIGHT



CUTOUT HOLE: 150x58mm



Warnings:

1. Make sure that the product is installed properly before connecting to electricity.
2. Do not cover the fitting.
3. Maintenance and installation should only be carried out by a professional electrician.