

INSTALLATION MANUAL

38150B

ecolight



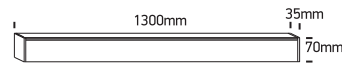
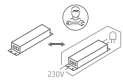
UGR17

90
CRI

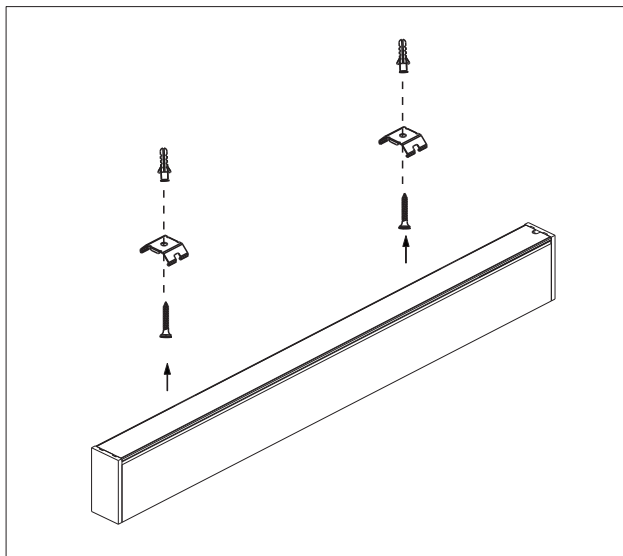


one
LIGHT

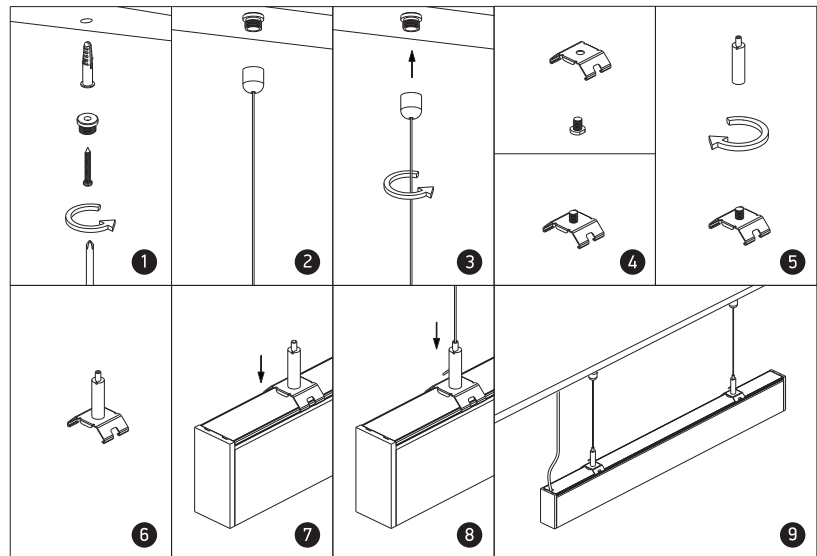
40W | SMD 3030 | 48LEDs | 230V | IP20 | Aluminium
Complete with 1000mA driver / Can be connected in line.



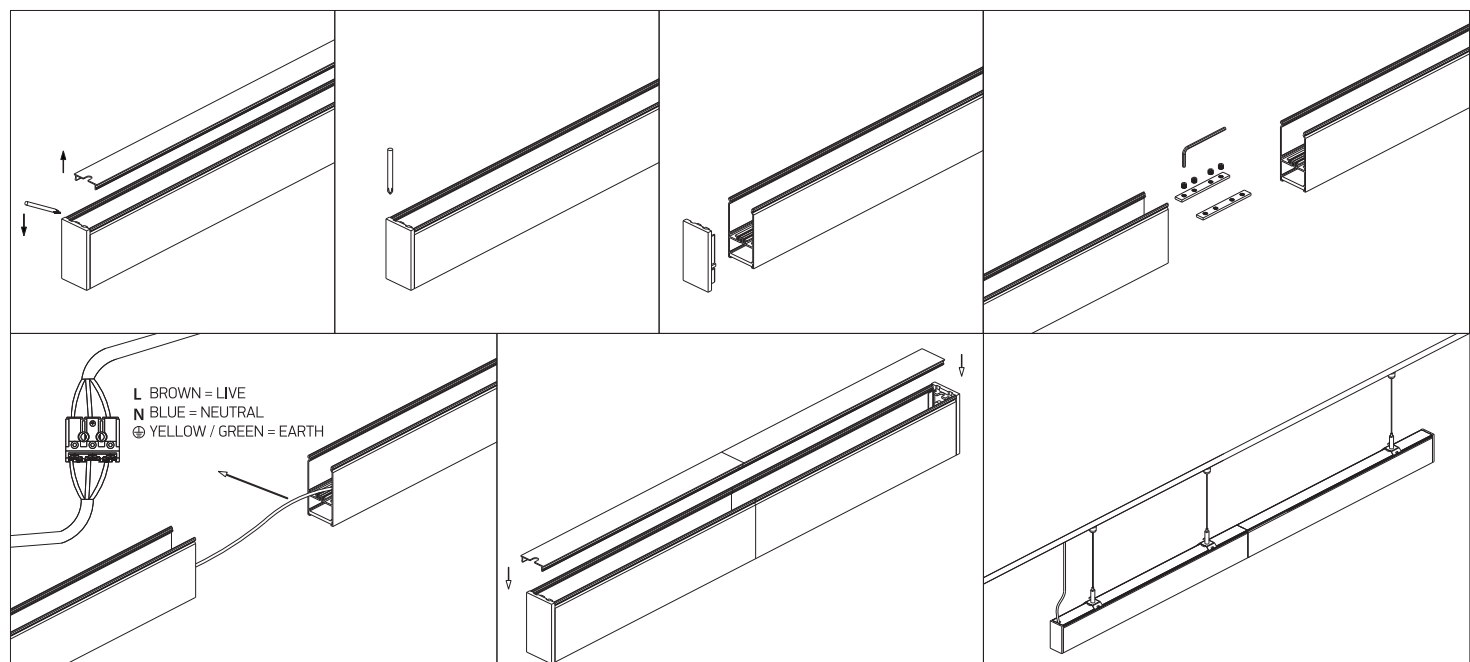
A SURFACE INSTALLATION



B SUSPENDED INSTALLATION



C CONNECTION



Warnings:

1. Make sure that the product is installed properly before connecting to electricity.
2. Do not cover the fitting.
3. Maintenance and installation should only be carried out by a professional electrician.