

# INSTALLATION MANUAL

## 38150BR

**ecolight**



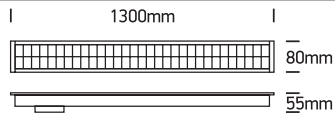
DARK LIGHT UGR17

90 CRI

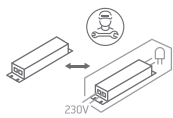


40W | SMD 3030 | 230V | IP20 | Aluminium

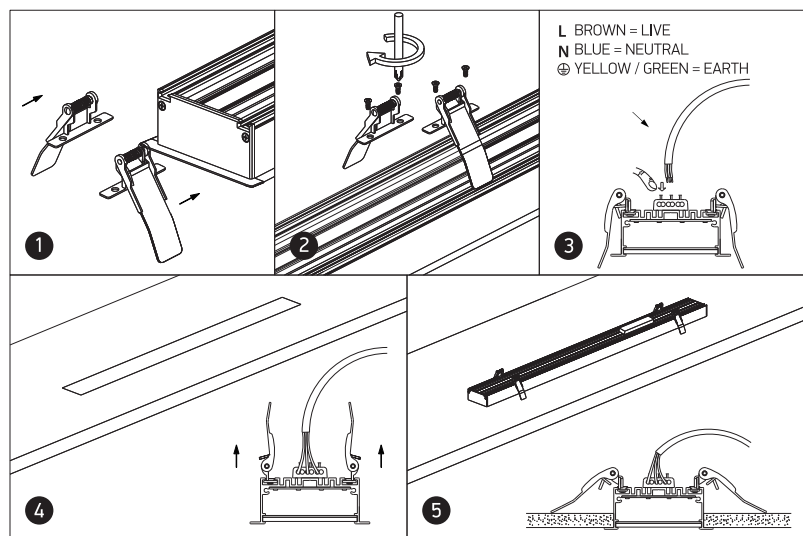
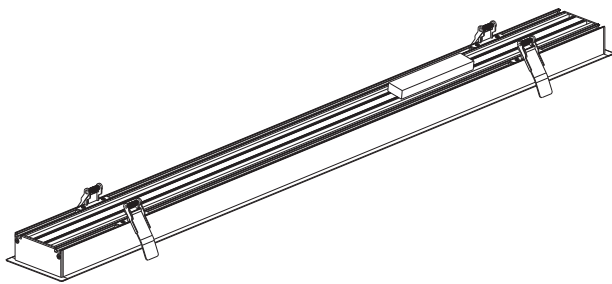
Complete with 1000mA driver.



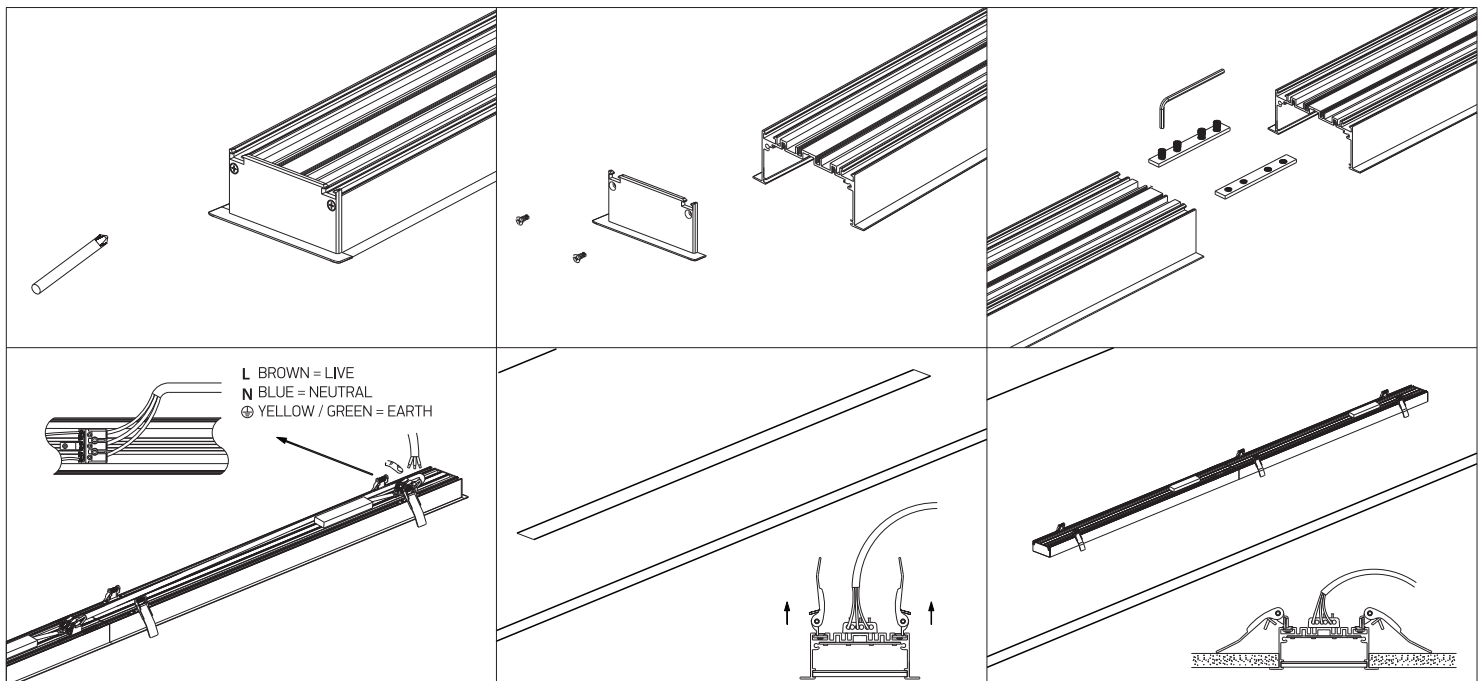
**one**  
LIGHT



### A INSTALLATION



### B CONNECTION



#### Warnings:

1. Make sure that the product is installed properly before connecting to electricity.
2. Do not cover the fitting.
3. Maintenance and installation should only be carried out by a professional electrician.