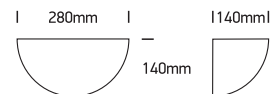


# INSTALLATION MANUAL

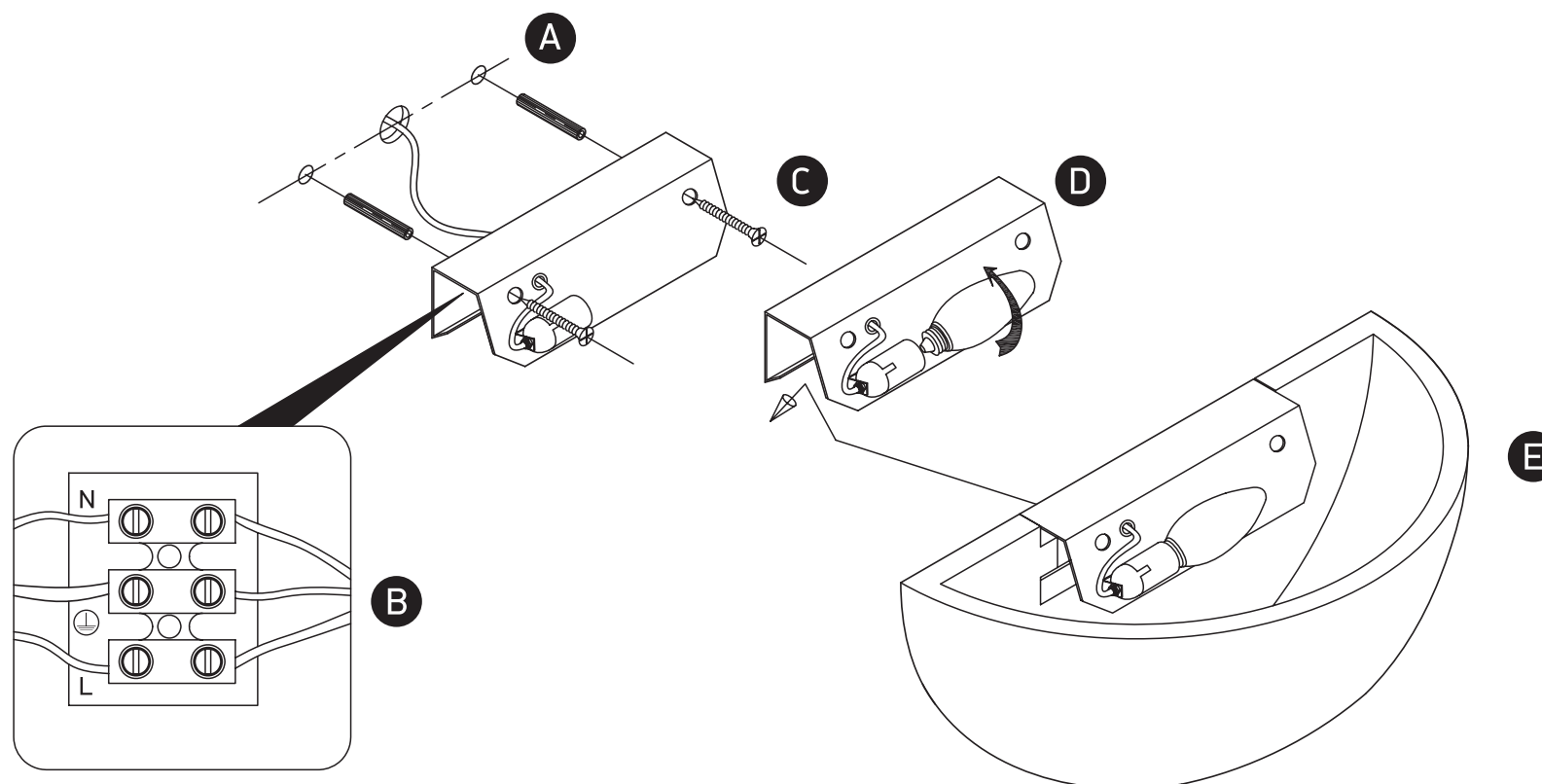
60038



100-240V | E27 | 20W | IP20 | Gypsum



one  
LIGHT



## Warnings:

1. Make sure that the product is installed properly before connecting to electricity.
2. Do not cover the fitting.
3. Maintenance and installation should only be carried out by a professional electrician.