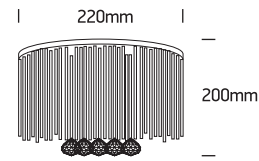


INSTALLATION MANUAL

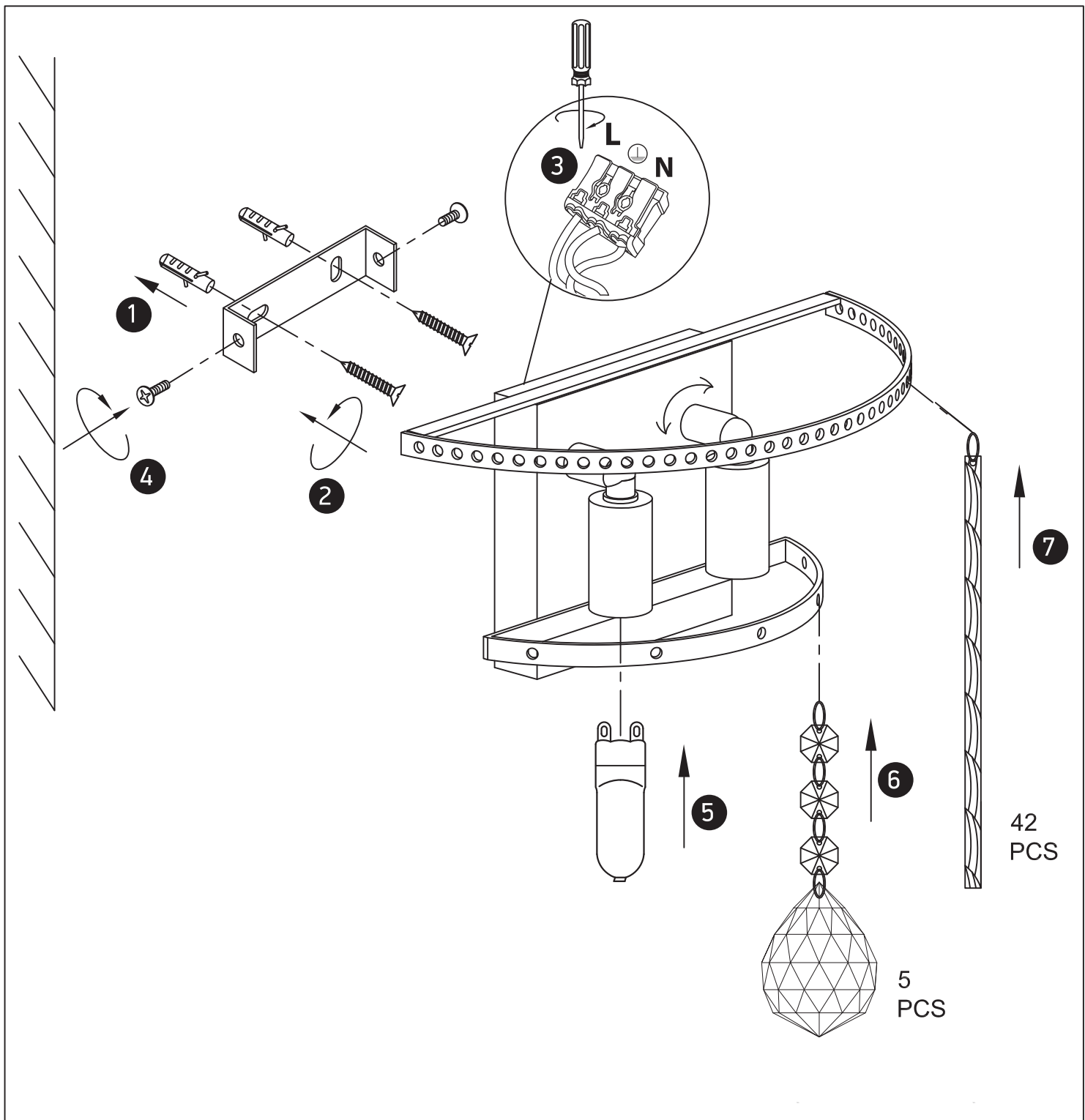
60158



100-240V | G9 | 2x9W | IP20 | Metal + Aluminium rods + glass



one
LIGHT



Warnings:

1. Make sure that the product is installed properly before connecting to electricity.
2. Do not cover the fitting.
3. Maintenance and installation should only be carried out by a professional electrician.