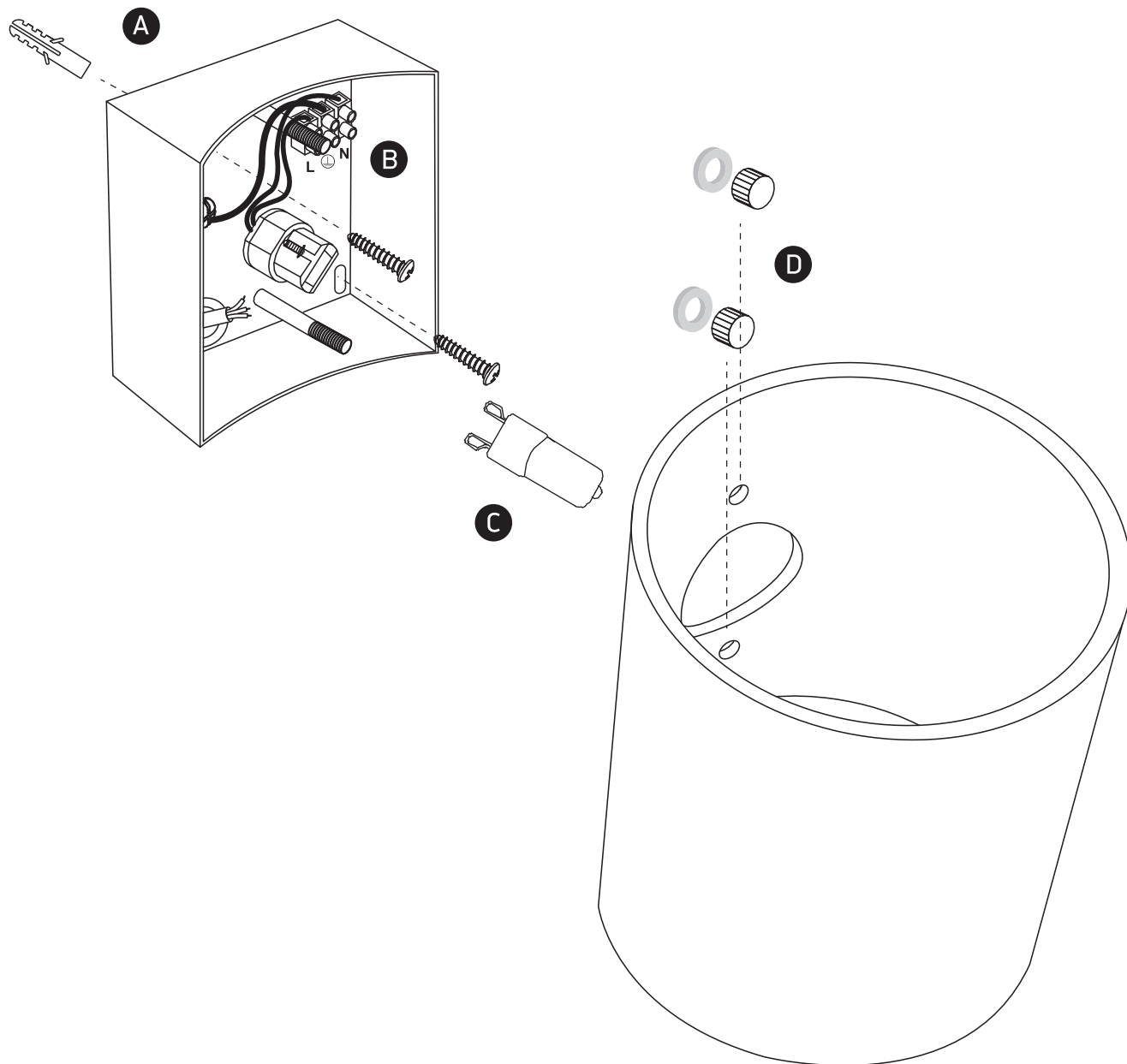
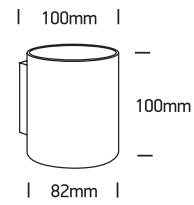


# INSTALLATION MANUAL

## 6017



100-240V | G9 | 30W | IP20 | Aluminium



### Warnings:

1. Make sure that the product is installed properly before connecting to electricity.
2. Do not cover the fitting.
3. Maintenance and installation should only be carried out by a professional electrician.