

INSTALLATION MANUAL

60176



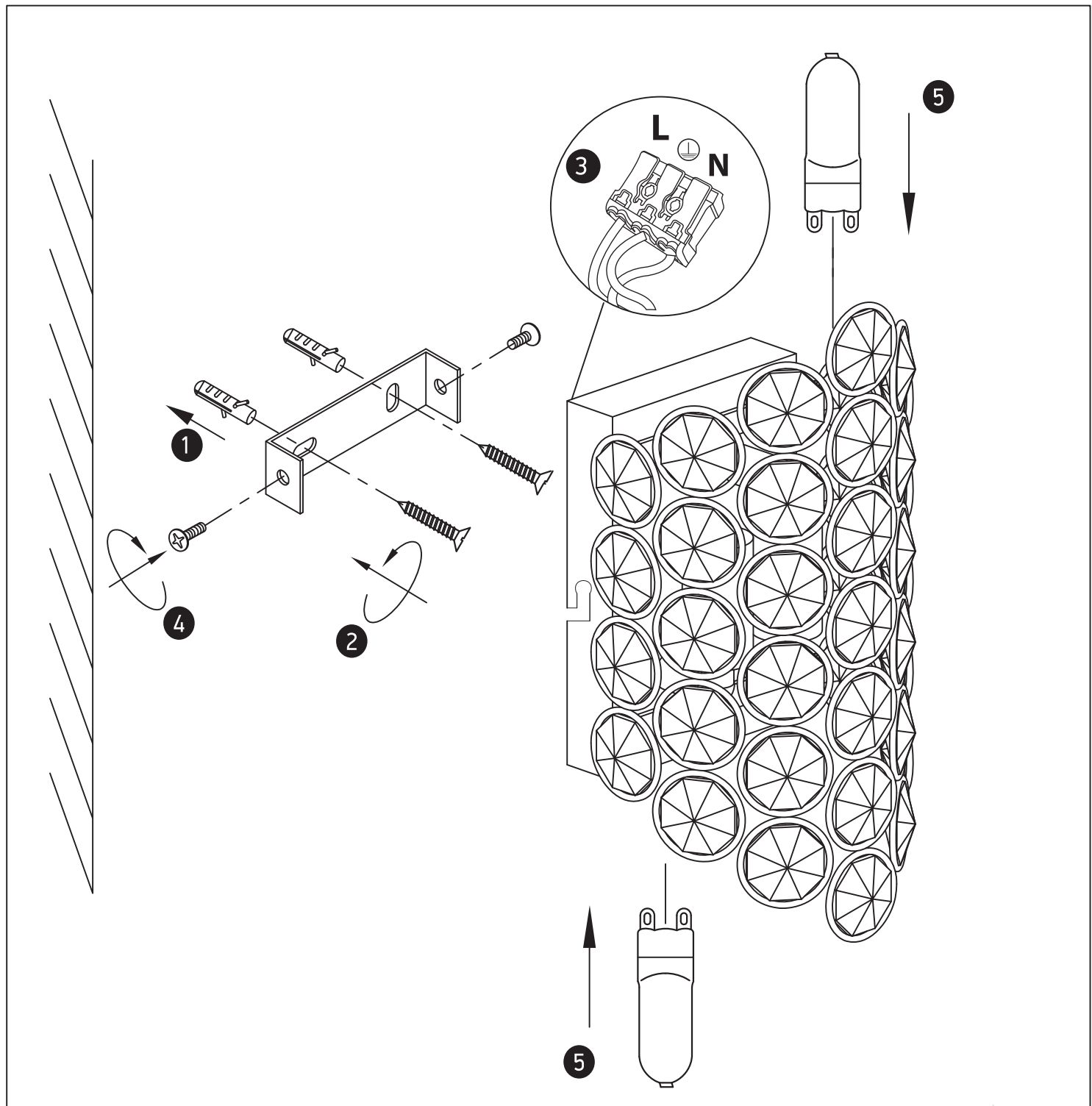
| 100mm |



210mm

one
LIGHT

100-240V | G9 | 2 x 9W | IP20 | Metal + glass



Warnings:

1. Make sure that the product is installed properly before connecting to electricity.
2. Do not cover the fitting.
3. Maintenance and installation should only be carried out by a professional electrician.