

INSTALLATION MANUAL

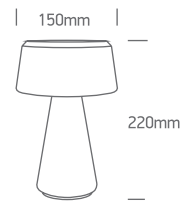
61088

LED
BUILT IN



CE ENEC UK

CA



3W | SMD LED | 3-Step dimming | IP65 | ABS

80
CRI

Rechargeable USB socket.
1x2200mAh lithium battery.

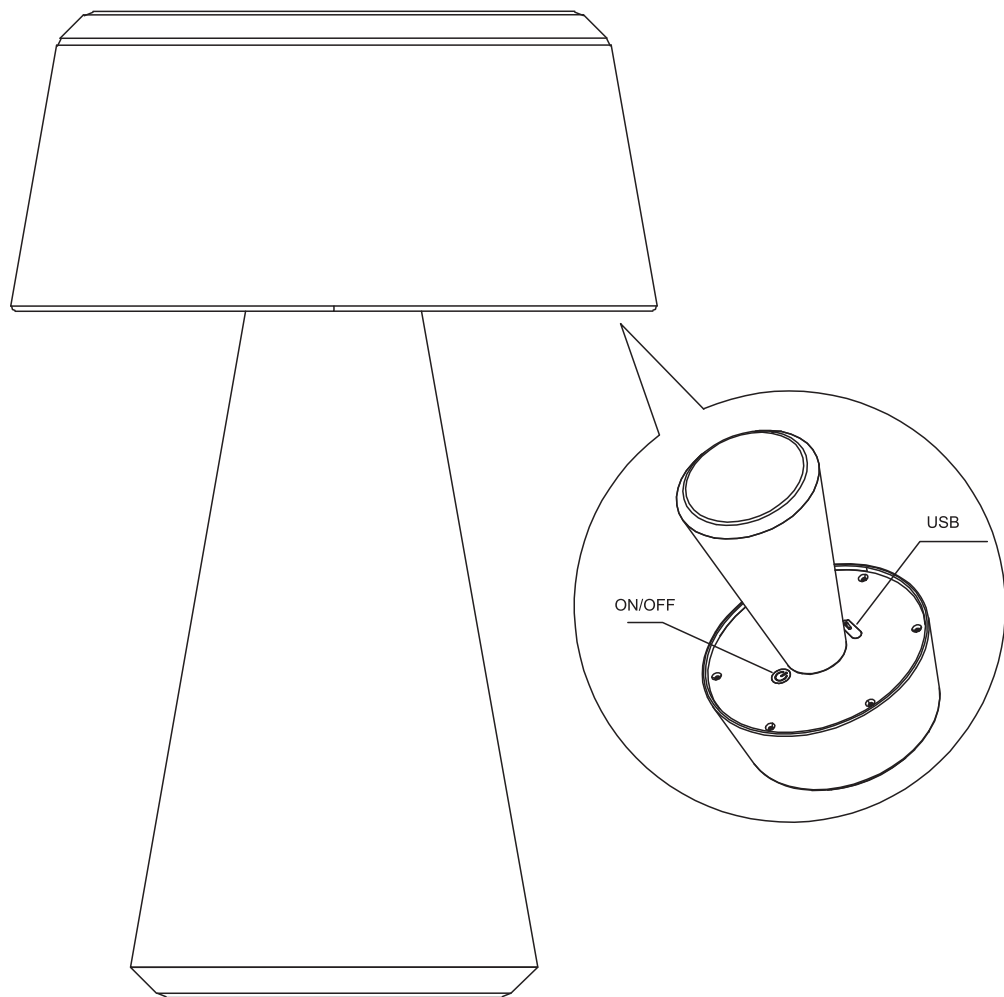
INSTALLATION INSTRUCTIONS:

- The micro-USB charging port is underneath the shade for easy charging.
- Change the brightness by pressing the switch underneath the shade.
 - 1st press: 100%
 - 2nd press: 50%
 - 3rd press: 25%
 - 4th press: OFF

Charging time: 3,5Hrs

Working time:

- 4Hrs - 100% brightest light
- 8Hrs - 50% brighter light
- 15Hrs - 25% soft light



Warnings:

1. Do not cover the fitting.
2. The batteries should not be opened, destroyed or incinerated.
3. Do not short circuit terminals, or over charge the battery, forced over-discharge, throw to fire.
4. Do not crush or puncture the battery, or immerse in liquids.
5. Storage preferably in cool, dry and ventilated area, which is subject to little temperature change.
6. Do not place the battery near heating equipment, nor expose to direct sunlight for long periods.