

INSTALLATION MANUAL

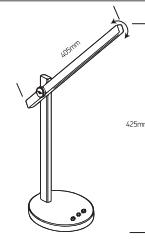
61108



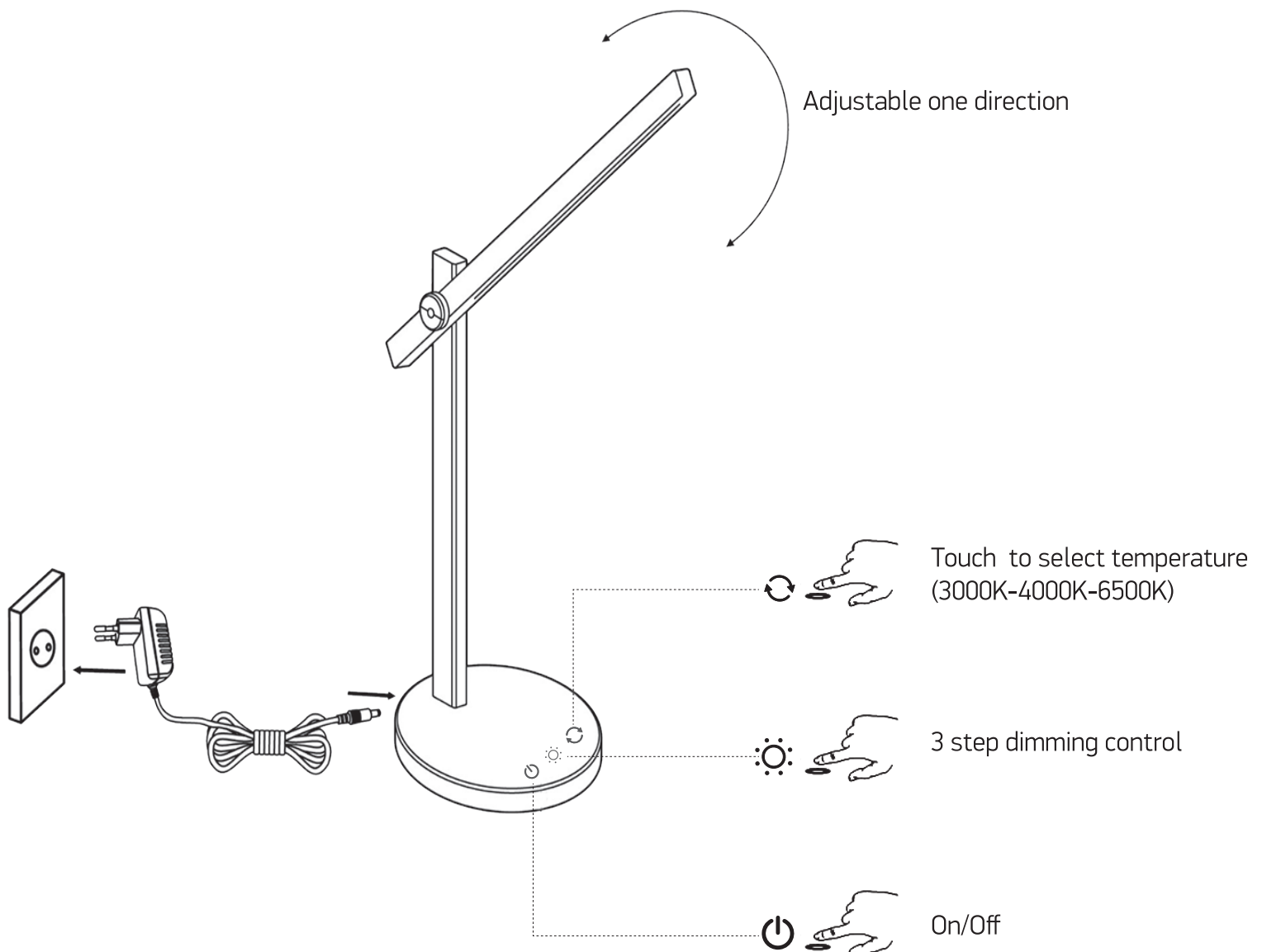
5,5W | IP20 | SMD LED | Touch switch | Dimmable | Die cast

Complete with EU plug.

85 CRI



one
LIGHT



Warnings:

1. Make sure that the product is installed properly before connecting to electricity.
2. Do not cover the fitting.
3. Maintenance and installation should only be carried out by a professional electrician.