

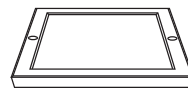
# INSTALLATION MANUAL

## 62018AF

**ecolight**

**80  
CRI**


| 220x220mm |



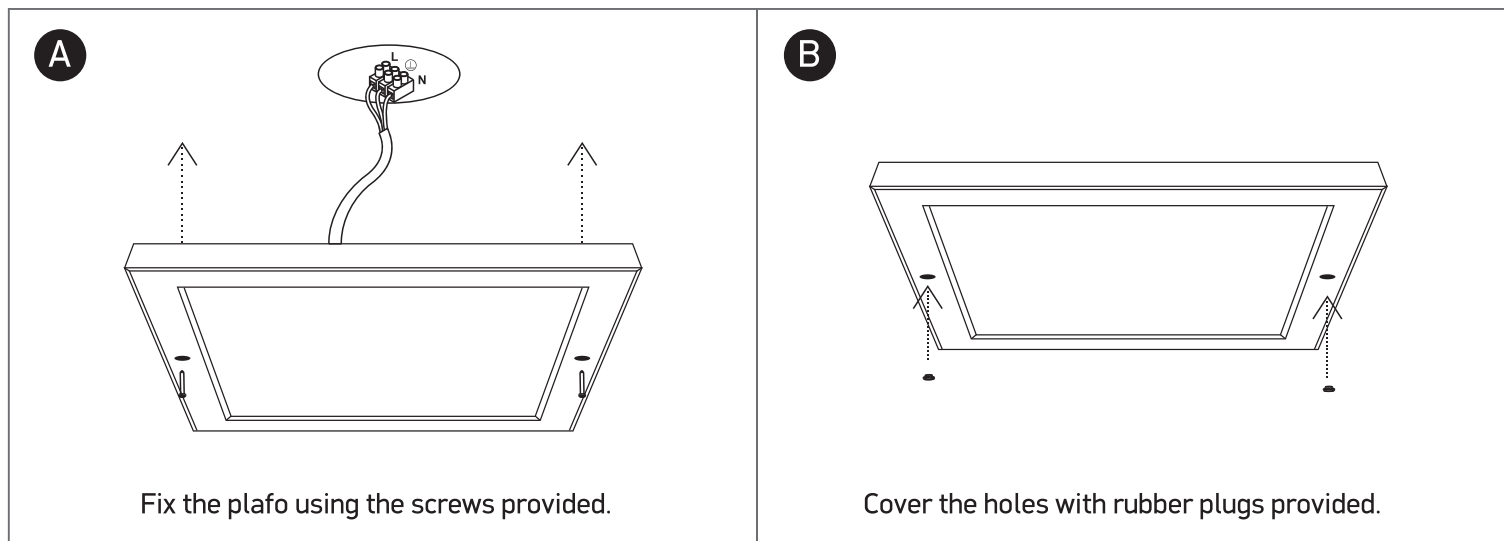
= 18mm

**one**  
LIGHT

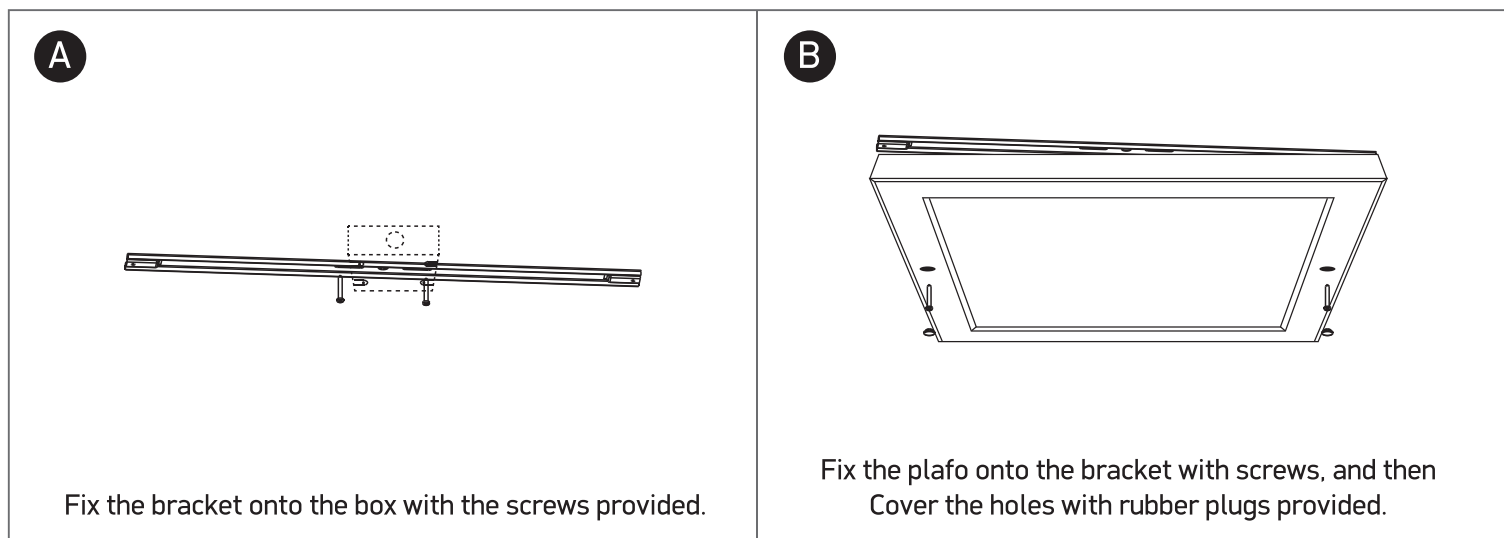
230V | SMD 4014 | 18W | IP40 | Aluminium + PC

Complete with driver.

### SURFACE MOUNTED



### INSTALL USING THE BRACKET



#### Warnings:

1. Make sure that the product is installed properly before connecting to electricity.
2. Do not cover the fitting.
3. Maintenance and installation should only be carried out by a professional electrician.