

INSTALLATION MANUAL

62022AM

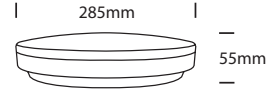
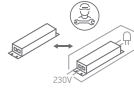
LED
BUILT IN



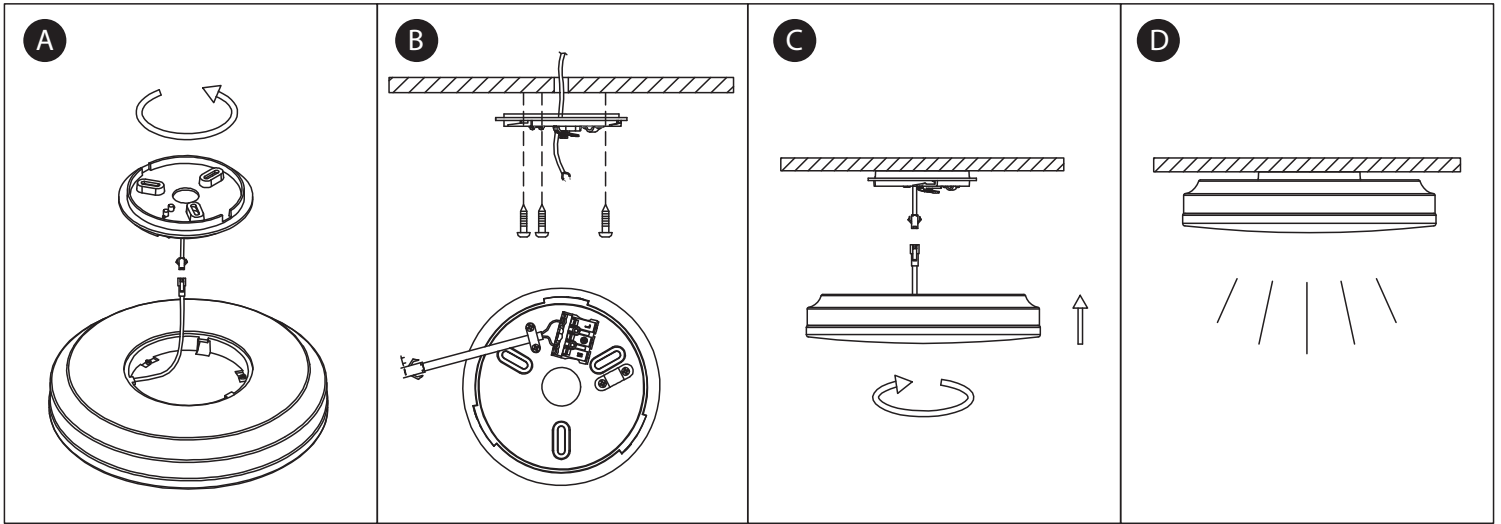
80
CRI



230V | SMD2835 | 20W | IP20 | Sensor 30min timer | PC
Complete with 450mA driver.

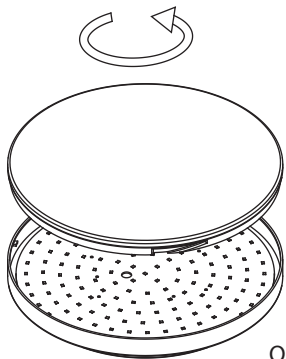


one
LIGHT

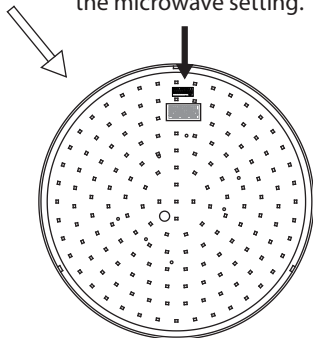


MICROWAVE MOTION SENSOR

By selecting the combination on the DIP switch, sensor data can be precisely set for each specific application.



Open the cover to adjust the microwave setting.



	1	2	
ON	ON	ON	100%
ON	-	-	75%
-	ON	-	50%
-	-	-	25%

DETECTION SENSITIVITY

Detection area can be reduced by selecting the combination on the DIP switches to fit precisely each application.

	3	4	5	
ON	ON	ON	ON	5 s
ON	ON	-	-	30 sec
ON	-	ON	-	1 min
ON	-	-	-	3 min
-	ON	ON	-	5min
-	ON	-	-	10 min
-	-	ON	-	20 min
-	-	-	-	30 min

ON TIMER

Refers to the time period the lamp remains at 100% illumination after no motion detected.

	6	7	8	
ON	ON	ON	ON	2LUX
ON	ON	-	-	10LUX
-	ON	-	-	25LUX
ON	-	-	-	50LUX
-	-	-	-	Disable

DAYLIGHT SENSOR

The sensor can be set to only allow the lamp to illuminate below a defined ambient brightness threshold. When set to disable mode, the daylight sensor will be unavailable and the light will not light up until motion was detected.

Warnings:

1. Make sure that the product is installed properly before connecting to electricity.
2. Do not cover the fitting.
3. Maintenance and installation should only be carried out by a professional electrician.