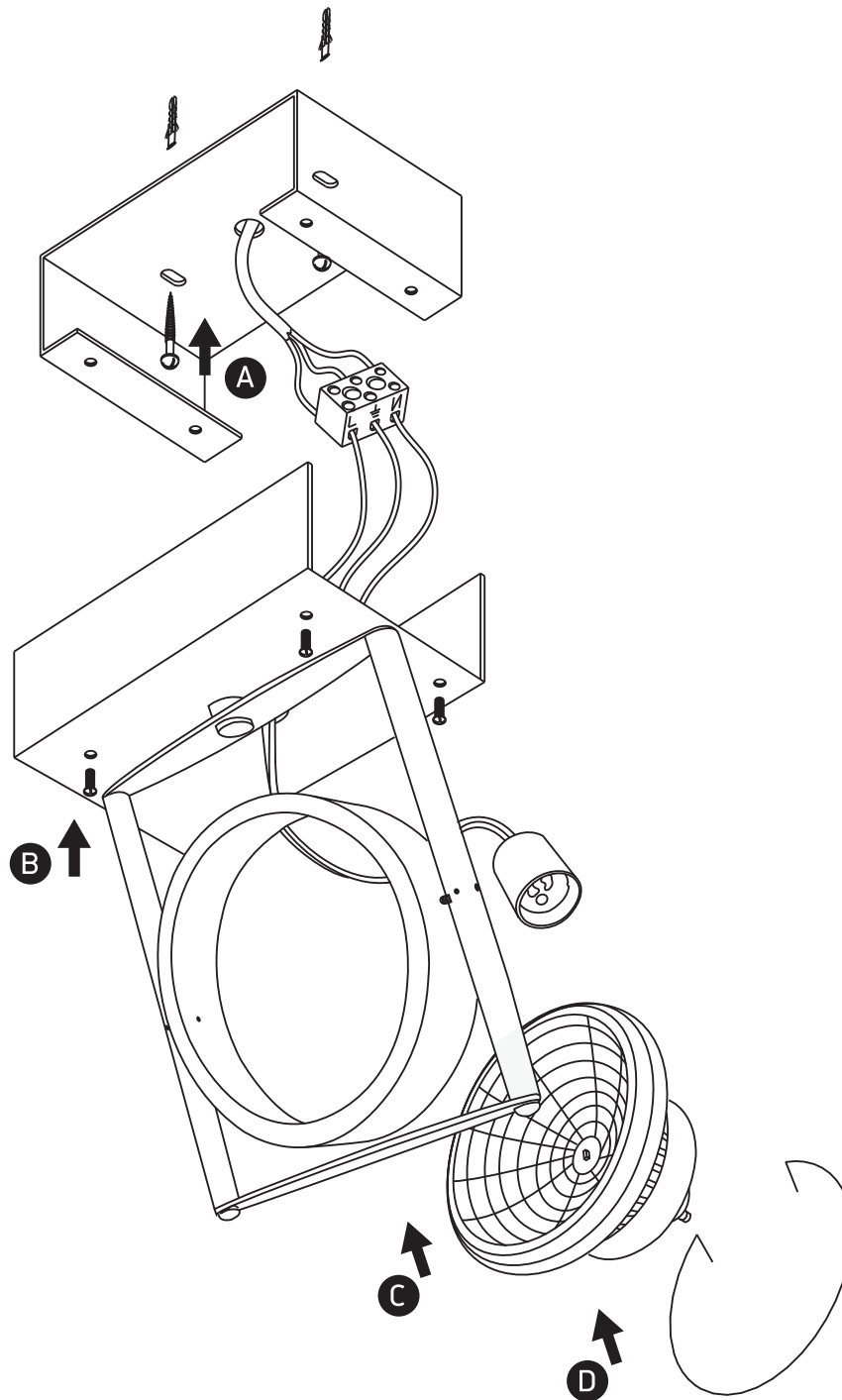
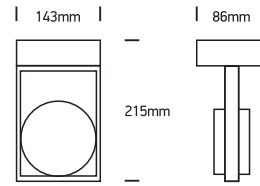


# INSTALLATION MANUAL

## 62110A



100-240V | AR111 | GU10 | 75W | IP20 | Natural aluminium | Adjustable



### Warnings:

1. Make sure that the product is installed properly before connecting to electricity.
2. Do not cover the fitting.
3. Maintenance and installation should only be carried out by a professional electrician.