

INSTALLATION MANUAL

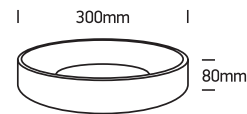
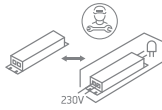
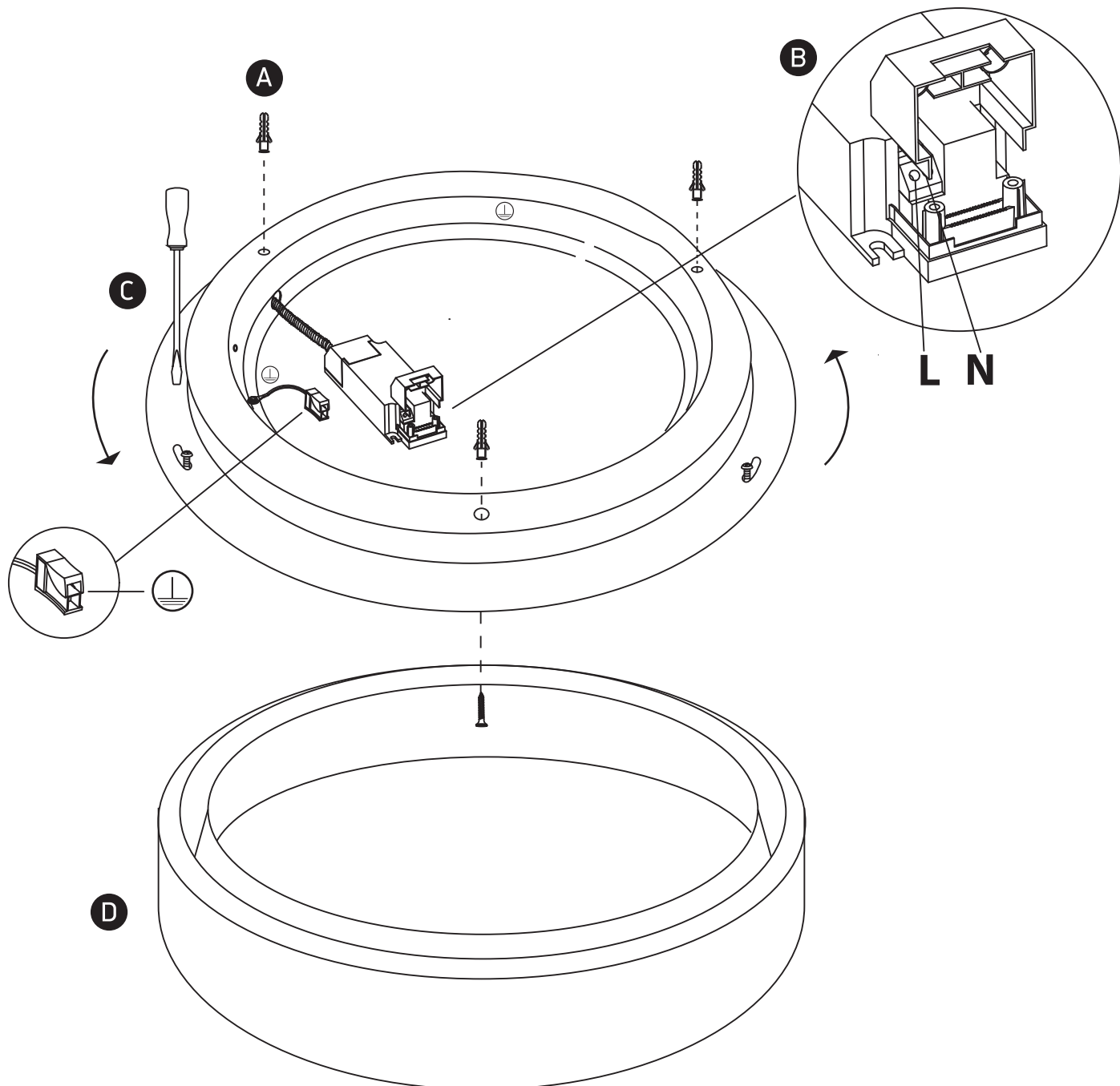
62130N

ecolight

**80
CRI**


230V | SMD 2835 | 20W | IP20 | Aluminium

Complete with 500mA driver


one
LIGHT


Warnings:

1. Fix the base on the ceiling.
2. Make sure that the product is installed properly before connecting to electricity.
3. Connect the AC power cable to the driver's cable as shown in the above diagram.
4. Do not cover the fitting.
5. Maintenance and installation should only be carried out by a professional electrician.