

INSTALLATION MANUAL

62132NA

ecolight

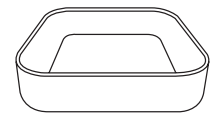


CE

RoHS
COMPLIANT



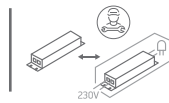
450x450mm



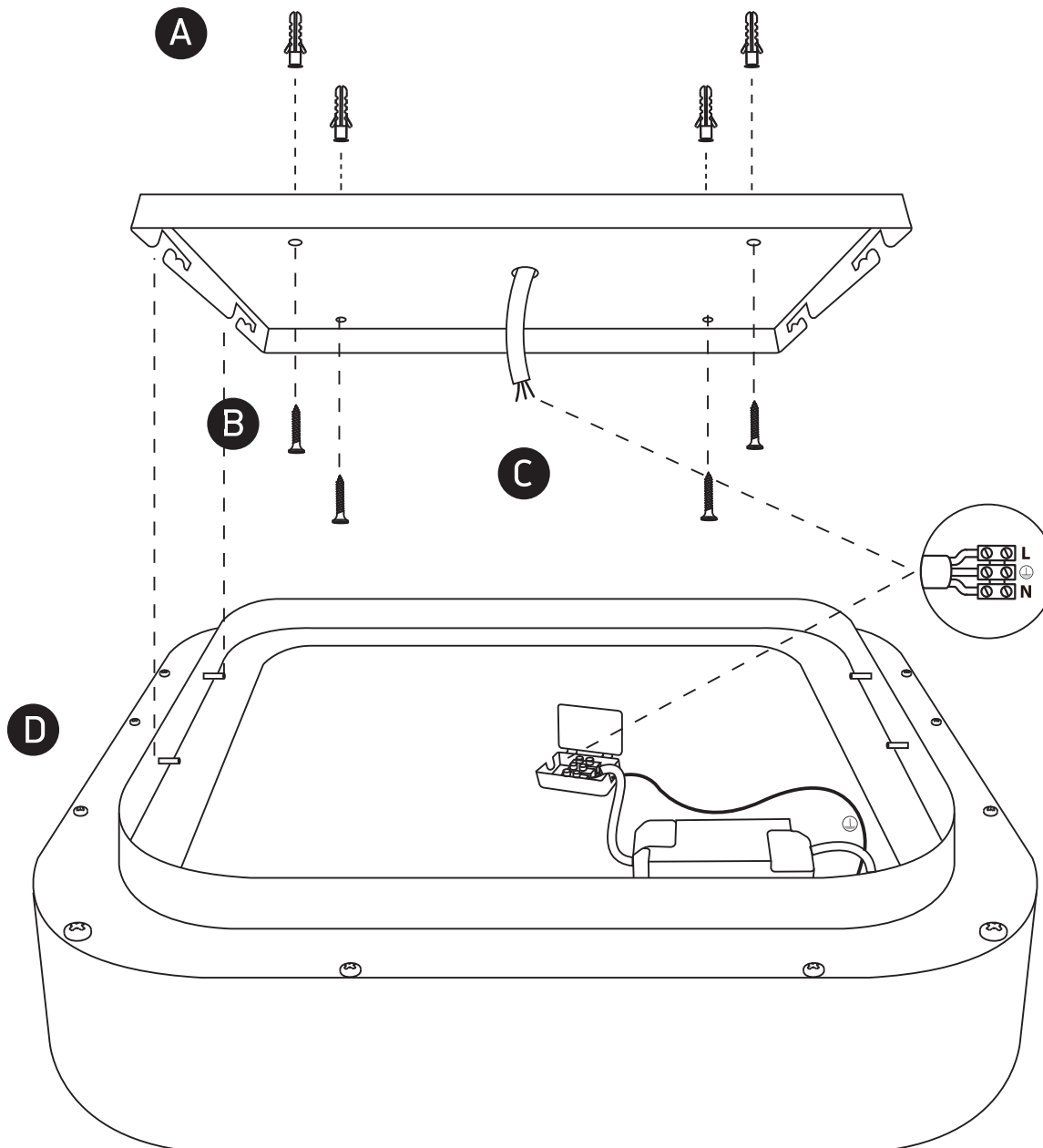
110mm

one
LIGHT

230V | SMD 2835 | 38W | IP20 | Aluminium
Complete with 1000mA driver.



80
CRI



Warnings:

1. Fix the base on the ceiling.
2. Make sure that the product is installed properly before connecting to electricity.
3. Connect the AC power cable to the driver's cable as shown in the above diagram.
4. Do not cover the fitting.
5. Maintenance and installation should only be carried out by a professional electrician.