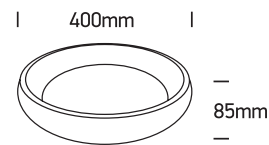


INSTALLATION MANUAL

62134N

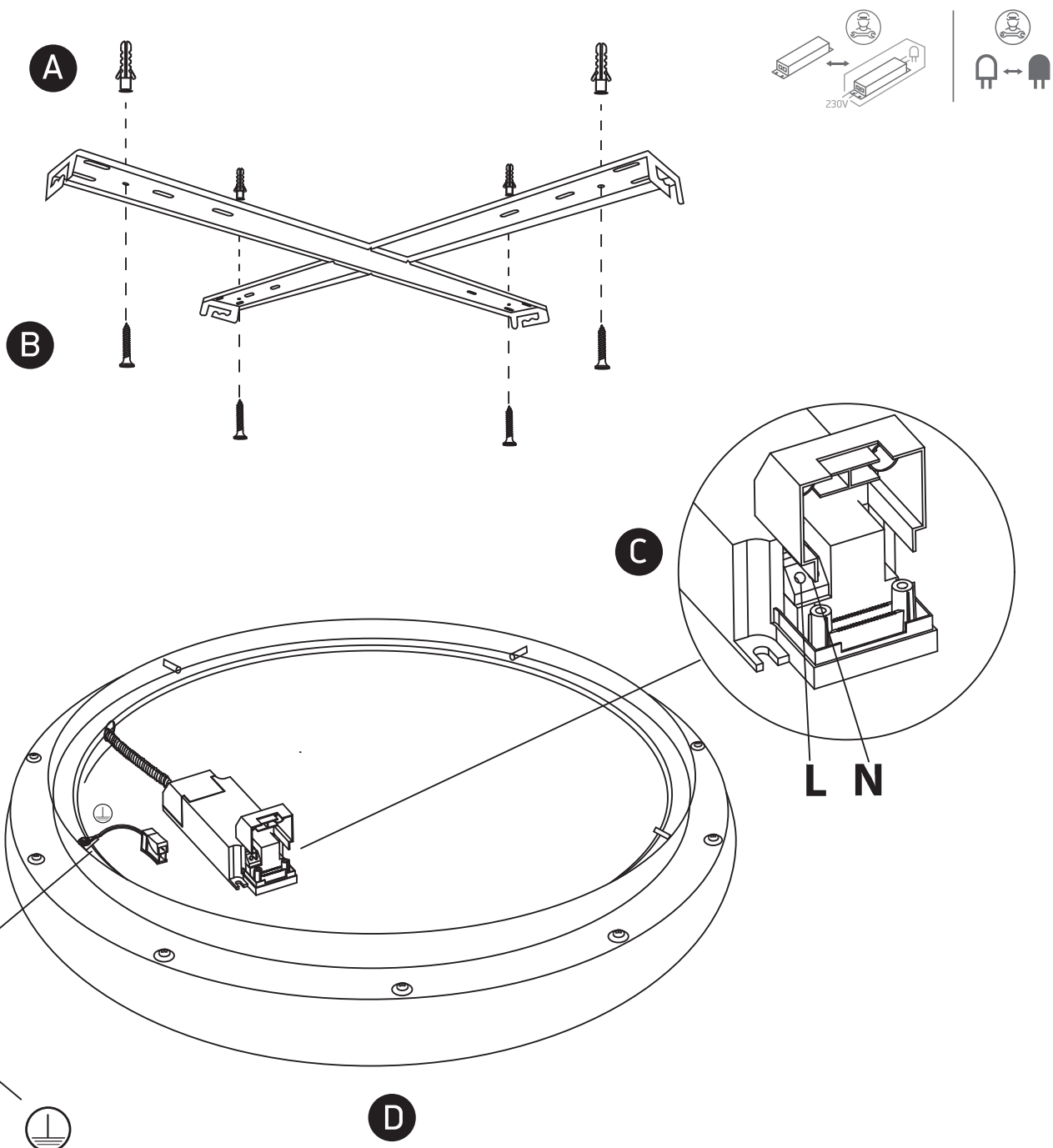
ecolight

CE
RoHS
COMPLIANT

NOT DIMMABLE

one
LIGHT

230V | SMD 2835 | 30W | IP20 | Metal

Complete with 700mA driver

80
CRI


Warnings:

1. Fix the base on the ceiling.
2. Make sure that the product is installed properly before connecting to electricity.
3. Connect the AC power cable to the driver's cable as shown in the above diagram.
4. Do not cover the fitting.
5. Maintenance and installation should only be carried out by a professional electrician.