

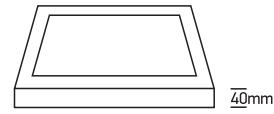
# INSTALLATION MANUAL

## 62140AE

**ecolight**

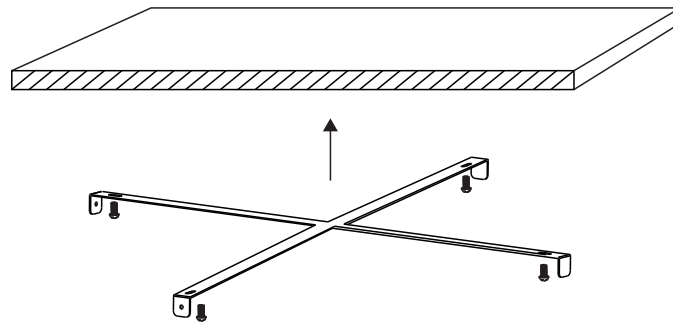
**80 CRI**


600x600mm

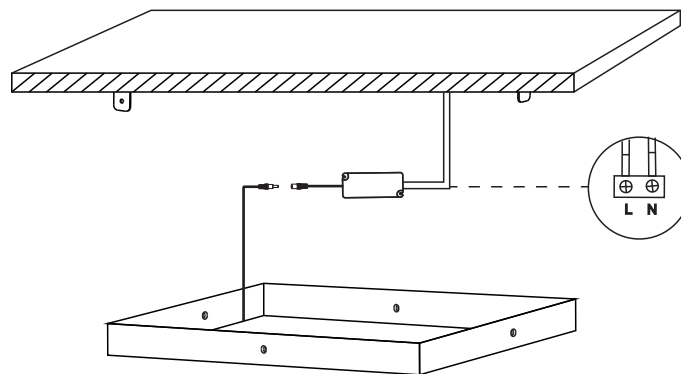

**one**  
LIGHT

230V | SMD 2835 | 40W | IP40 | Aluminium

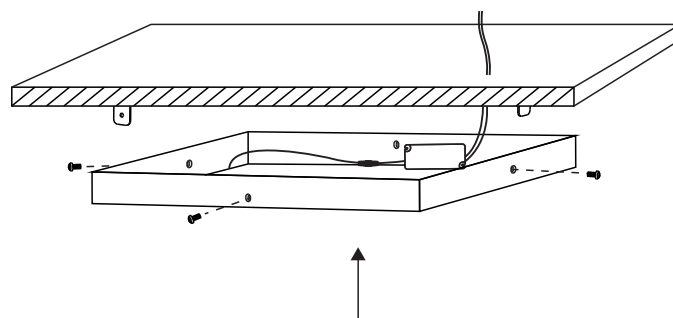
Complete with driver.

**A**


Fix bracket on ceiling.

**B**


Connect the driver to the power cable.

**C**


Place the frame on bracket and use screws to fix.

### Warnings:

1. Make sure that the product is installed properly before connecting to electricity.
2. Do not cover the fitting.
3. Maintenance and installation should only be carried out by a professional electrician.