

INSTALLATION MANUAL

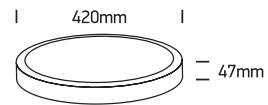
62140F

ecopanel

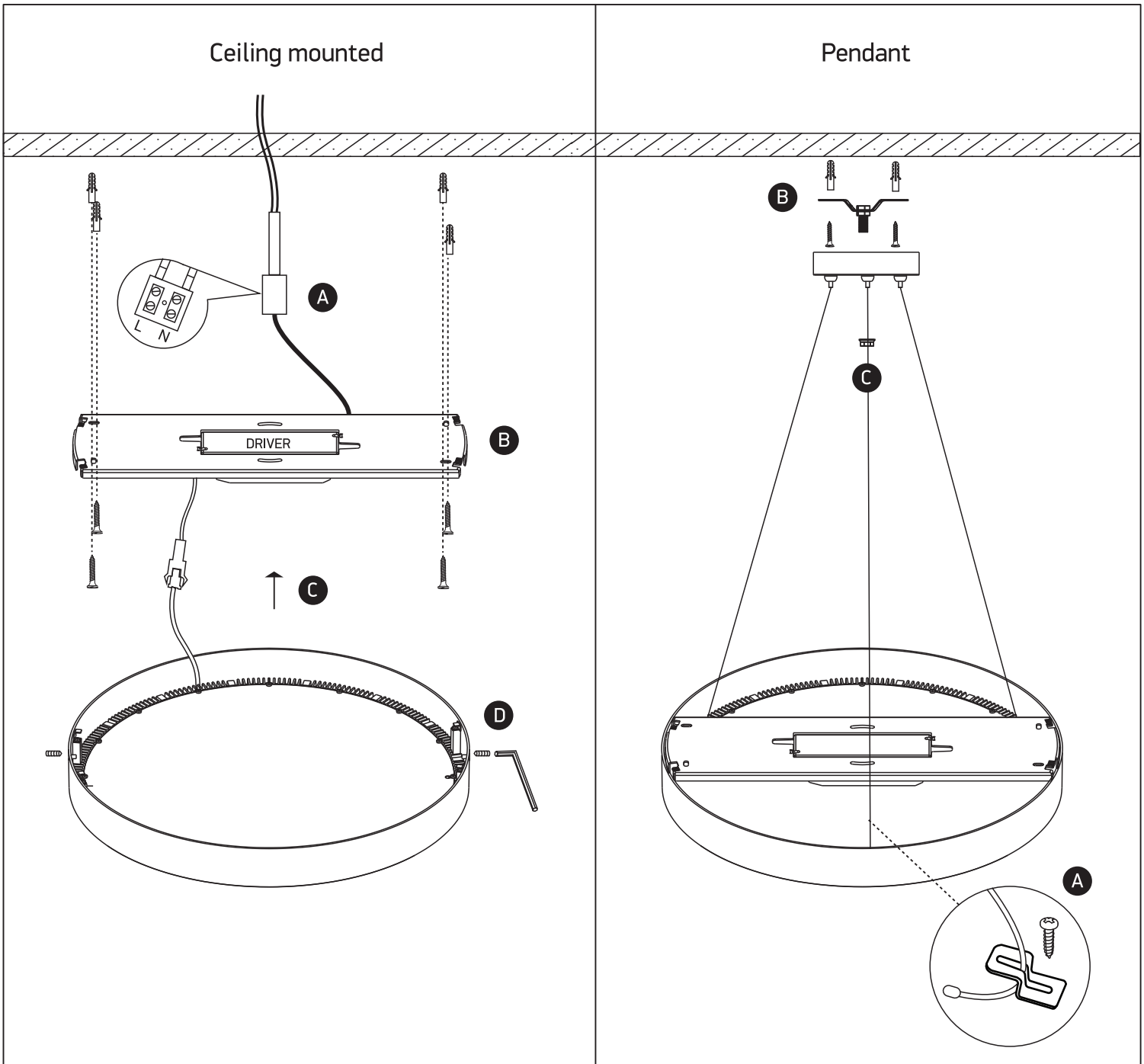


230V | SMD 4014 | 40W | IP40 | Die cast
Complete with 1000mA driver & suspension kit.

80
CRI



one
LIGHT



Warnings:

1. Make sure that the product is installed properly before connecting to electricity.
2. Do not cover the fitting.
3. Maintenance and installation should only be carried out by a professional electrician.