

# INSTALLATION MANUAL

## 62140RE

**ecolight**



80  
CRI

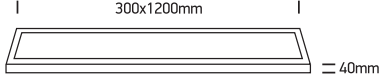
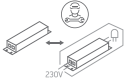
CE

RoHS  
COMPLIANT



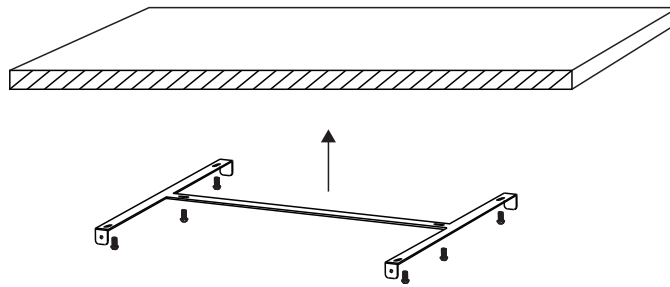
100%  
DIMMABLE

230V | SMD 2835 | 40W | IP40 | Aluminium  
Complete with 1000mA driver.



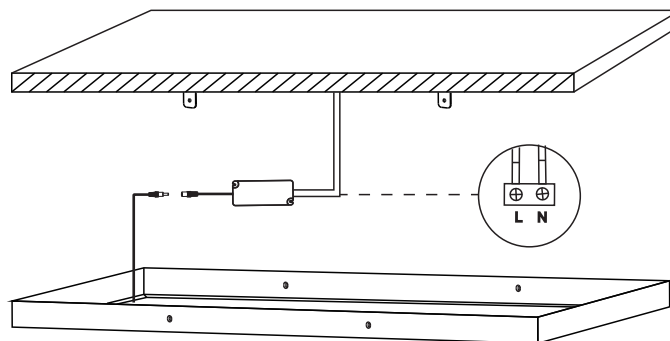
**one**  
LIGHT

**A**



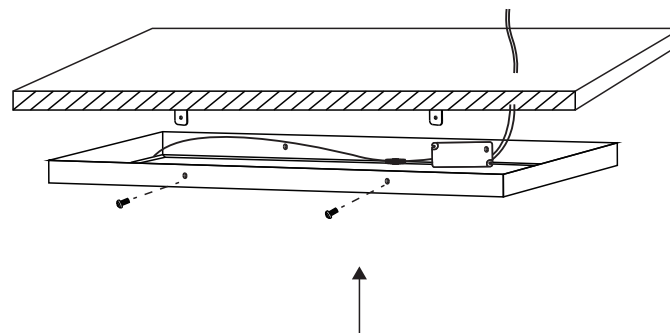
Fix bracket on ceiling.

**B**



Connect the driver to the power cable.

**C**



Place the frame on bracket and use screws to fix.

### Warnings:

1. Make sure that the product is installed properly before connecting to electricity.
2. Do not cover the fitting.
3. Maintenance and installation should only be carried out by a professional electrician.