

# INSTALLATION MANUAL

62140RE

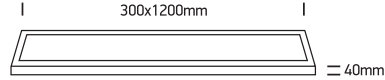
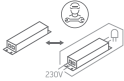
**ecolight**



80  
CRI

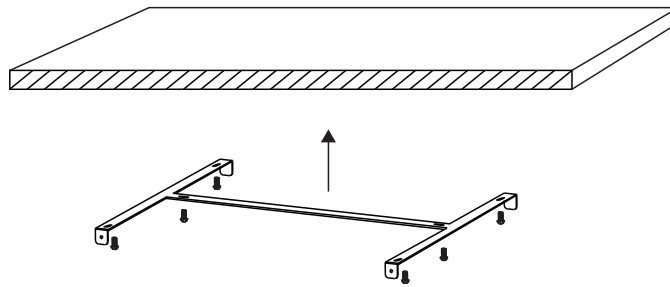


230V | SMD 2835 | 40W | IP40 | Aluminium  
Complete with 1000mA driver.



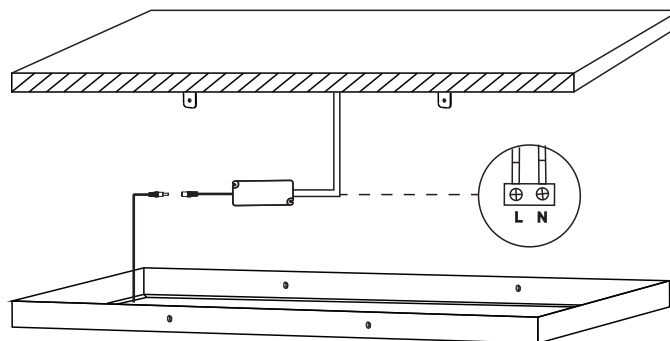
**one**  
LIGHT

**A**



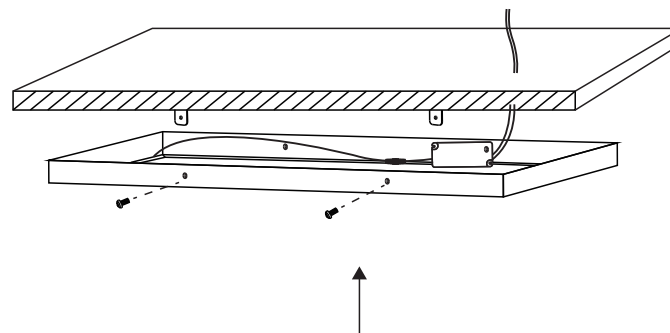
Fix bracket on ceiling.

**B**



Connect the driver to the power cable.

**C**



Place the frame on bracket and use screws to fix.

## Warnings:

1. Make sure that the product is installed properly before connecting to electricity.
2. Do not cover the fitting.
3. Maintenance and installation should only be carried out by a professional electrician.