

# INSTALLATION MANUAL

## 62140RF

**ecolight**

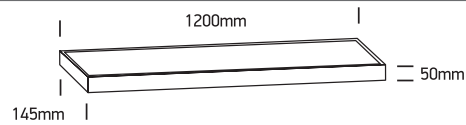


80  
CRI

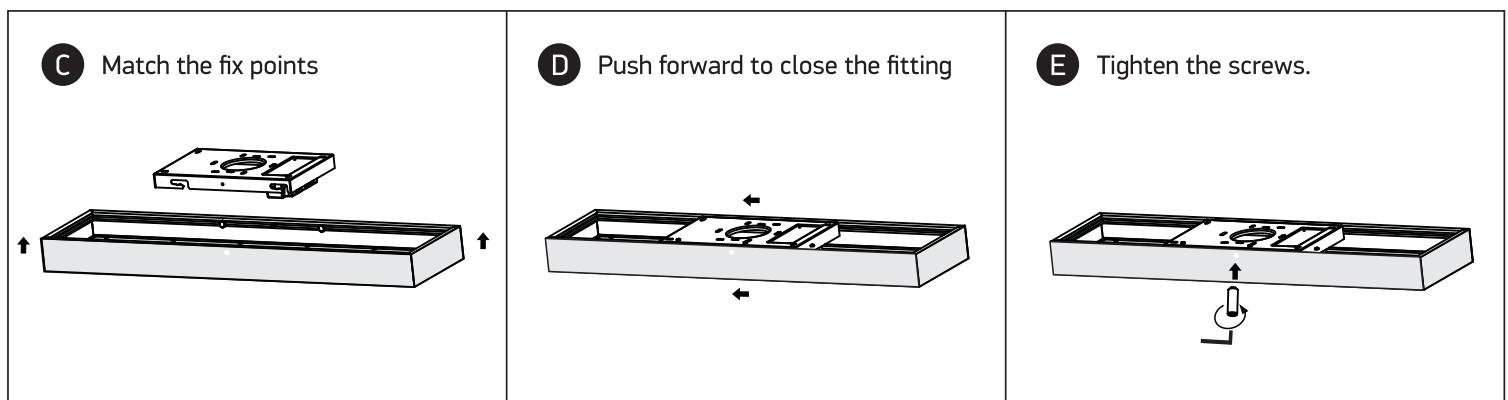
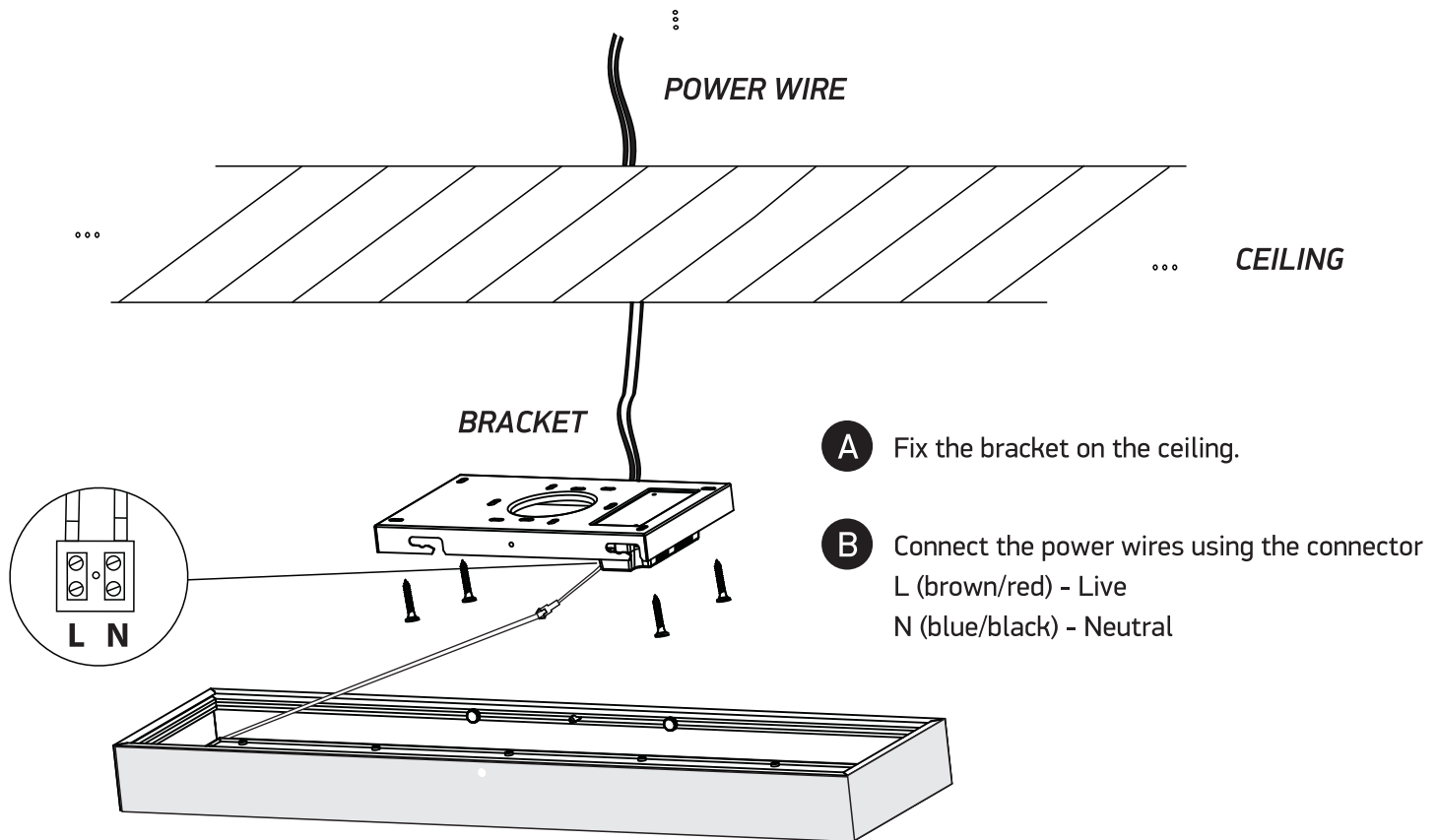


230V | SMD 2016 | 40W | IP40 | Die cast

Complete with driver.



**one**  
LIGHT



### Warnings:

1. Make sure that the product is installed properly before connecting to electricity.
2. Do not cover the fitting.
3. Maintenance and installation should only be carried out by a professional electrician.