

INSTALLATION MANUAL

62144N

ecolight

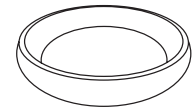


CE

RoHS
COMPLIANT



610mm

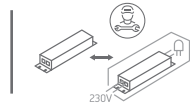


85mm

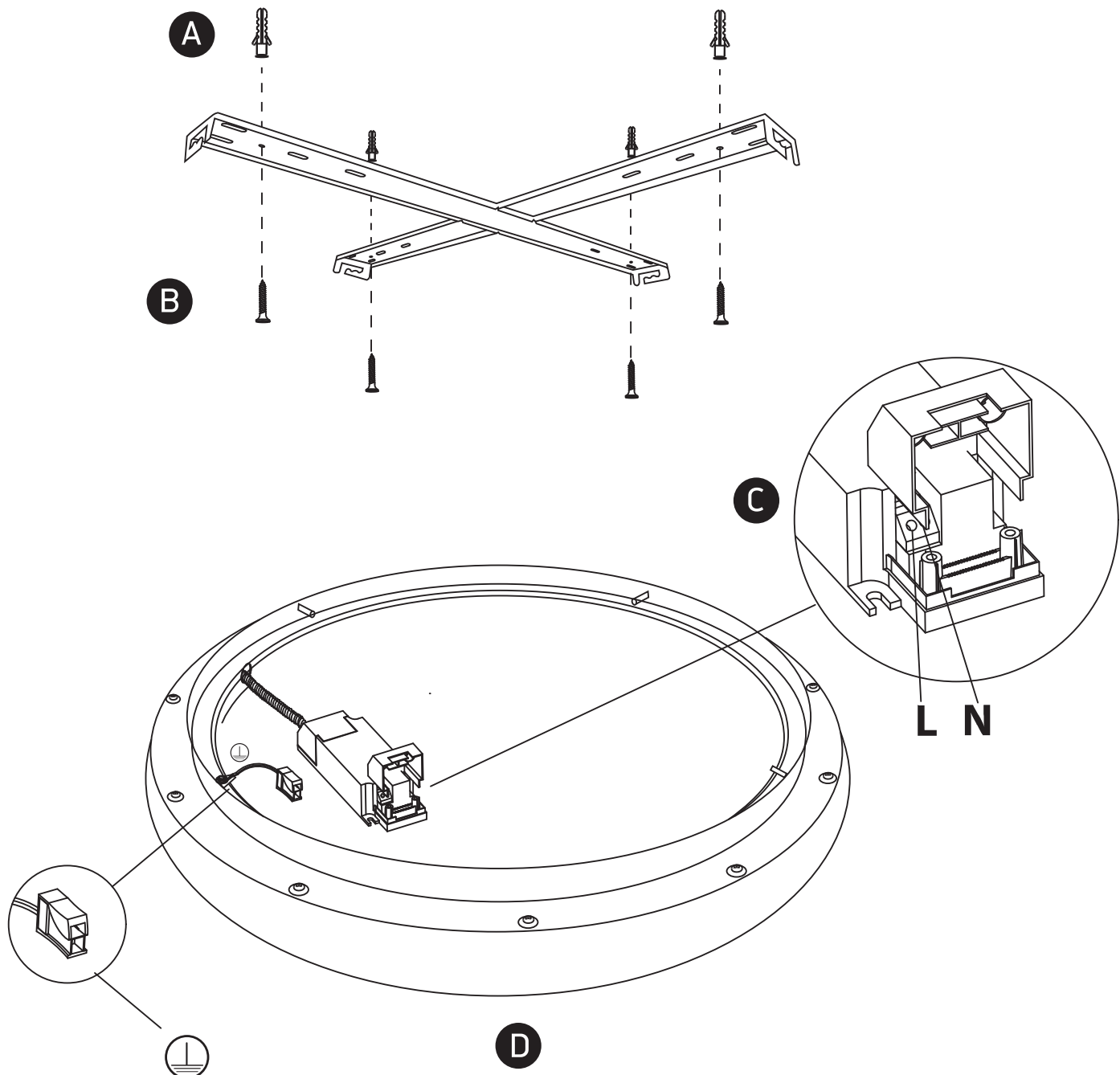
one
LIGHT

230V | SMD 2835 | 50W | IP20 | Metal

Complete with 1200mA driver.



80
CRI



Warnings:

1. Fix the base on the ceiling.
2. Make sure that the product is installed properly before connecting to electricity.
3. Connect the AC power cable to the driver's cable as shown in the above diagram.
4. Do not cover the fitting.
5. Maintenance and installation should only be carried out by a professional electrician.