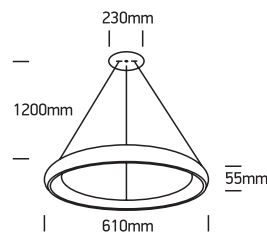


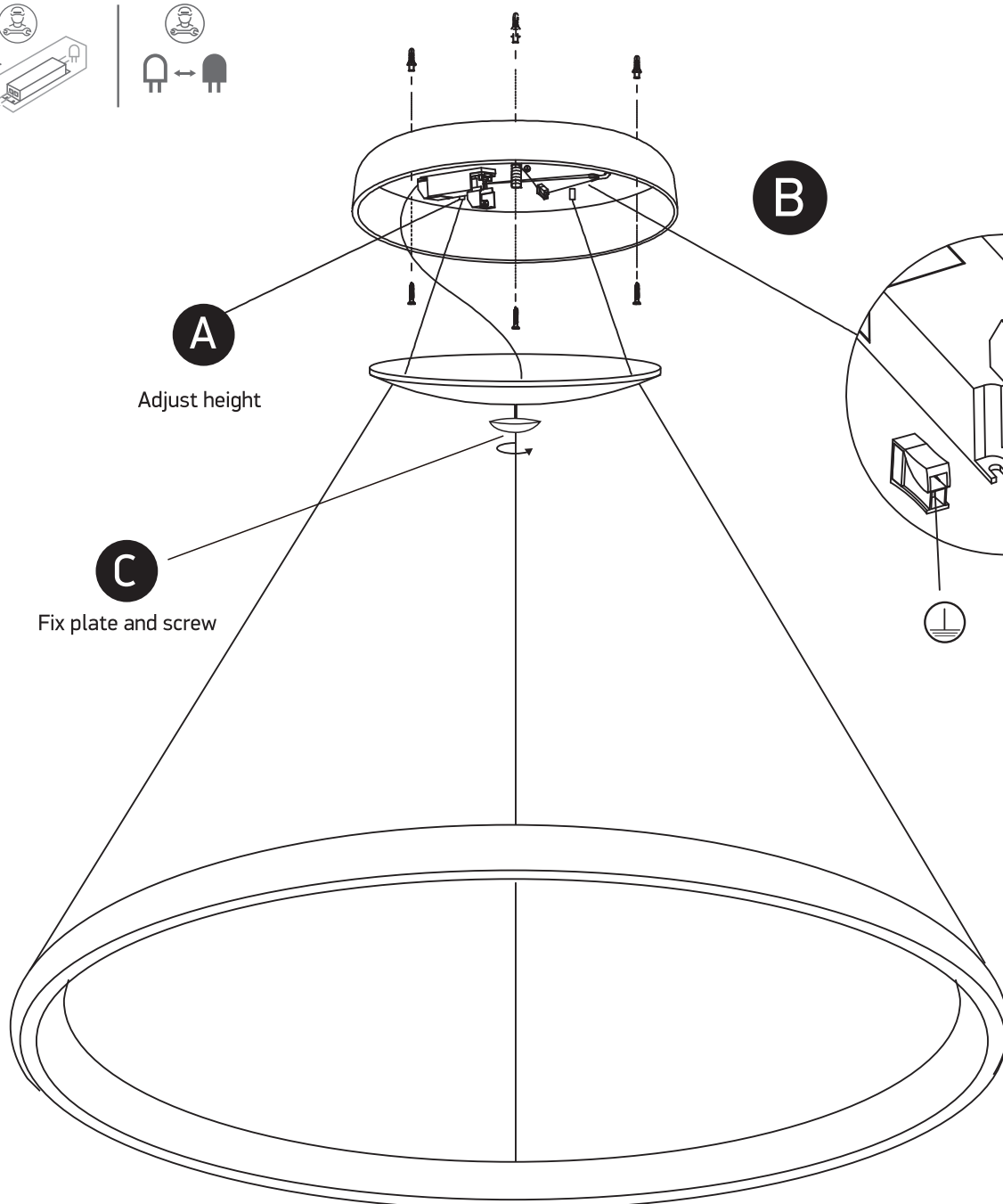
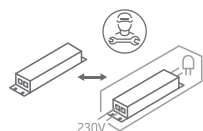
INSTALLATION MANUAL

62144NB

ecolight


230V | SMD 2835 | 50W | IP20 | Metal

Complete with 1200mA driver

80 CRI

A
Adjust height

C
Fix plate and screw

 L N

Warnings:

1. Fix the base on the ceiling.
2. Make sure that the product is installed properly before connecting to electricity.
3. Connect the AC power cable to the driver's cable as shown in the above diagram.
4. Do not cover the fitting.
5. Maintenance and installation should only be carried out by a professional electrician.