

INSTALLATION MANUAL

62148L

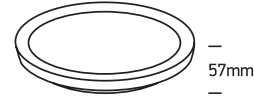
ecolight



80
CRI



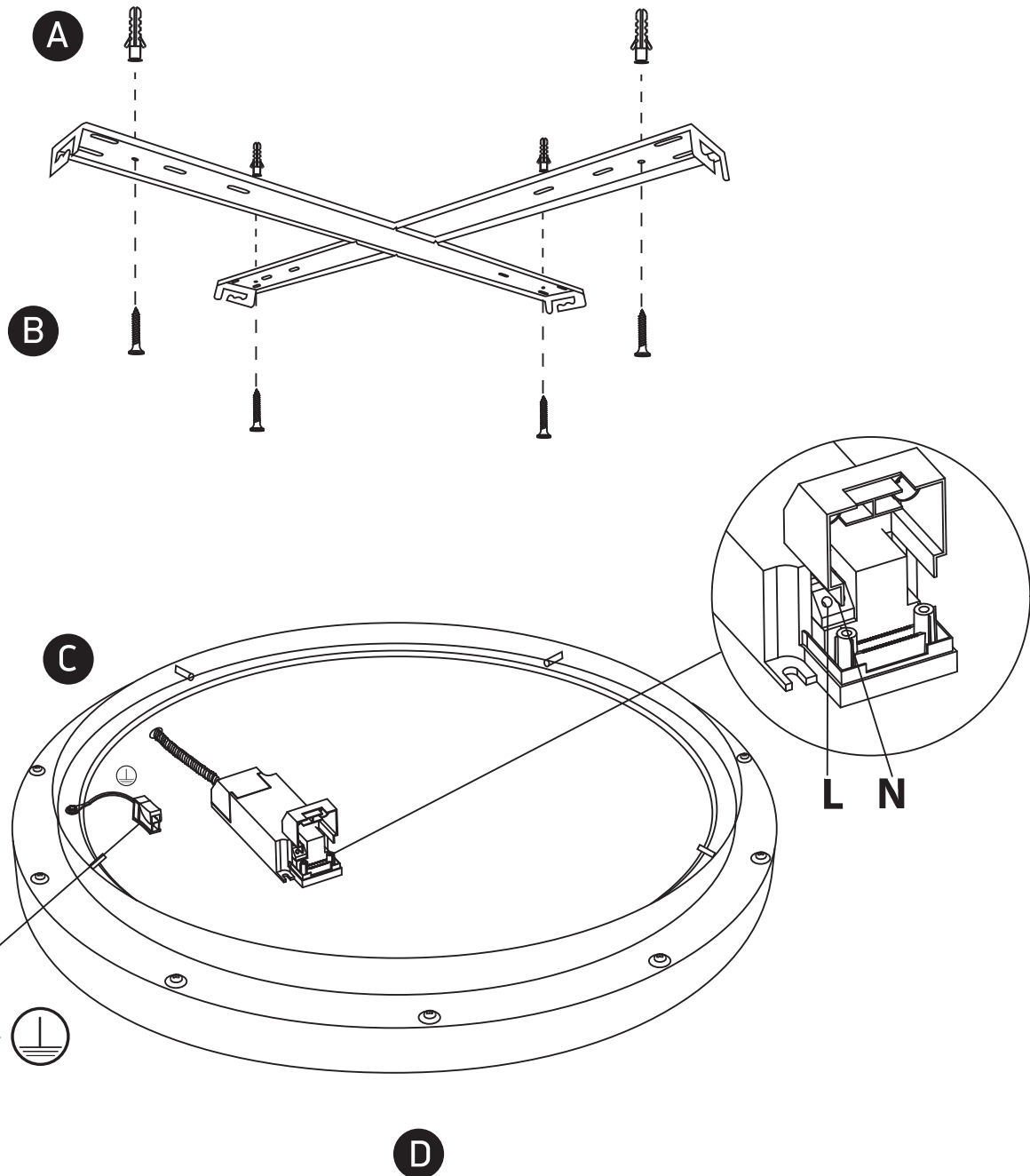
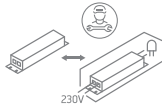
580mm



one
LIGHT

230V | SMD 2835 | 48W | IP20 | Aluminium

Complete with 1200mA driver



Warnings:

1. Fix the base on the ceiling.
2. Make sure that the product is installed properly before connecting to electricity.
3. Connect the AC power cable to the driver's cable as shown in the above diagram.
4. Do not cover the fitting.
5. Maintenance and installation should only be carried out by a professional electrician.