

# INSTALLATION MANUAL

## 62150BFU

**ecolight**



CE

EAC

UK

CA

RoHS

RECYCLABLE

RECYCLABLE

RECYCLABLE

RECYCLABLE

RECYCLABLE

RECYCLABLE

RECYCLABLE

RECYCLABLE

RECYCLABLE

RECYCLABLE

RECYCLABLE

RECYCLABLE

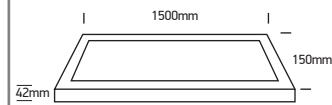
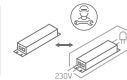
RECYCLABLE

RECYCLABLE

RECYCLABLE

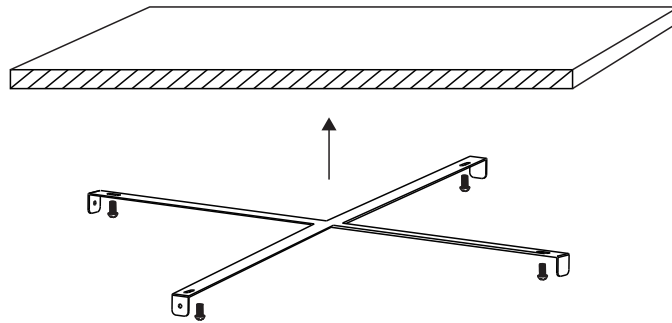
230V | SMD 2835 | 40W | IP20 | Aluminium + Steel  
Complete with 1000mA driver.

80  
CRI



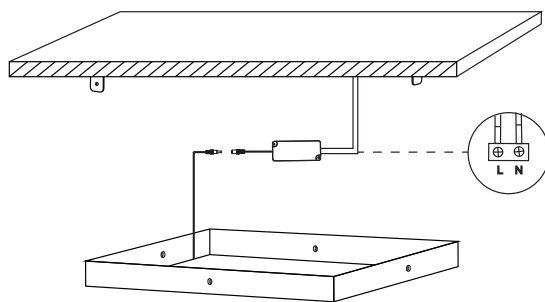
**one**  
LIGHT

**A**



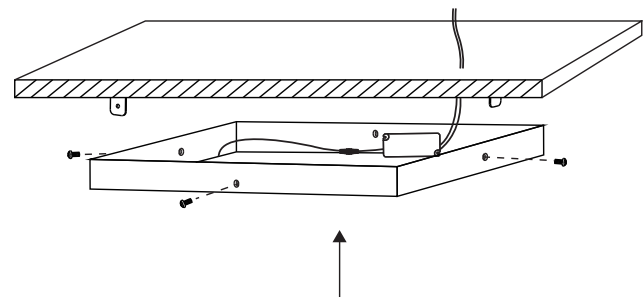
Fix bracket on ceiling.

**B**



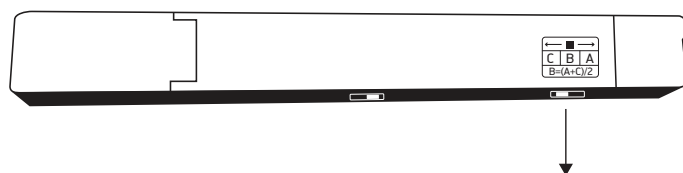
Connect the driver to the power cable.

**C**



Place the frame on bracket and use screws to fix.

**D**



C=5700K | B=4000K | A=3000K

CCT V switch can be found on driver.

### Warnings:

1. Make sure that the product is installed properly before connecting to electricity.
2. Do not cover the fitting.
3. Maintenance and installation should only be carried out by a professional electrician.