

INSTALLATION MANUAL

62152A

ecolight



CE

RoHS
COMPLIANT



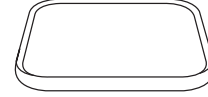
NOT
RECYCLABLE

620x620mm

230V | SMD 2835 | 40W | IP20 | Aluminium

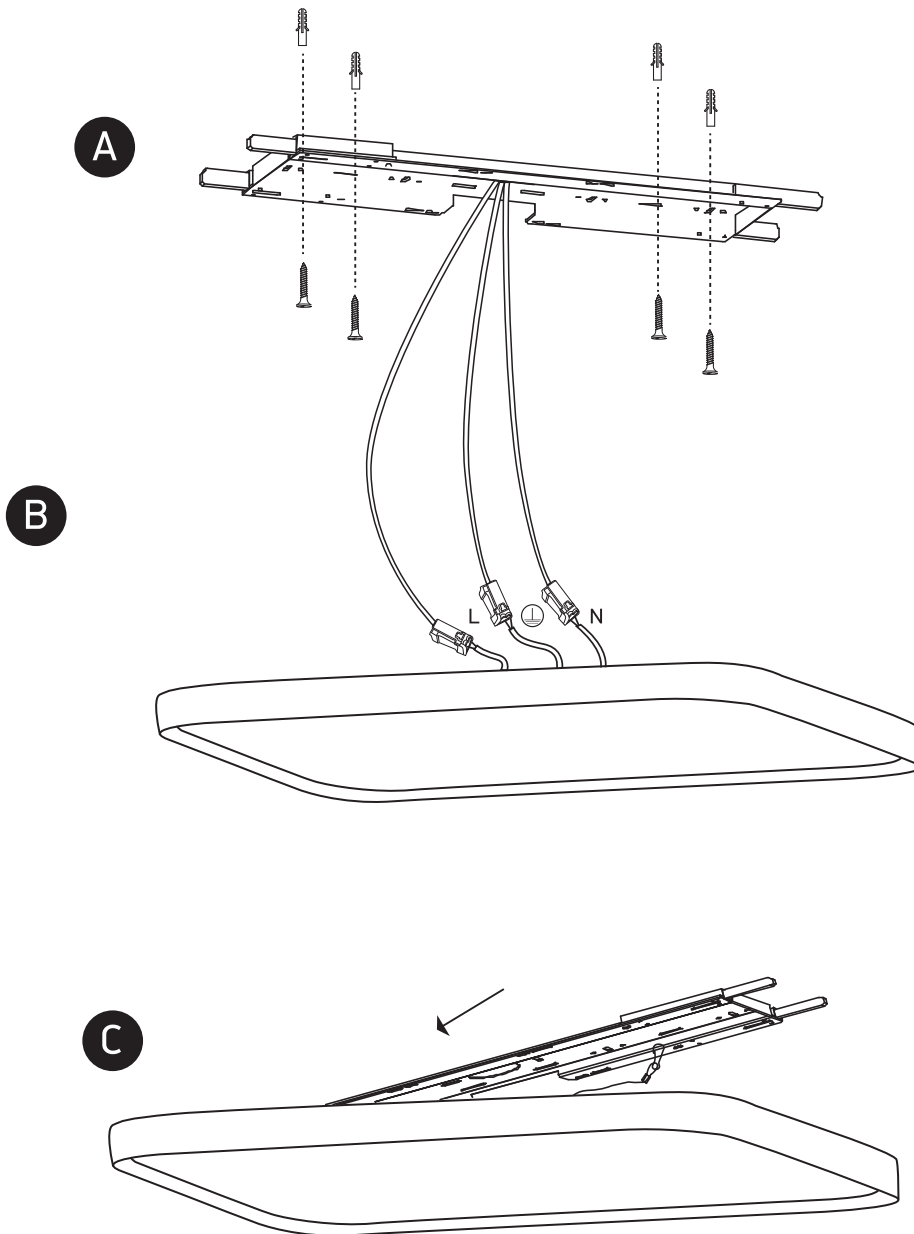
Complete with 700mA driver

80
CRI



33mm

one
LIGHT



Warnings:

1. Fix the base on the ceiling.
2. Make sure that the product is installed properly before connecting to electricity.
3. Connect the AC power cable to the driver's cable as shown in the above diagram.
4. Do not cover the fitting.
5. Maintenance and installation should only be carried out by a professional electrician.