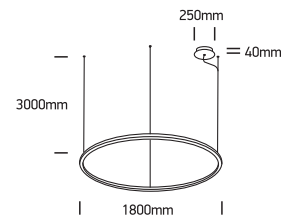
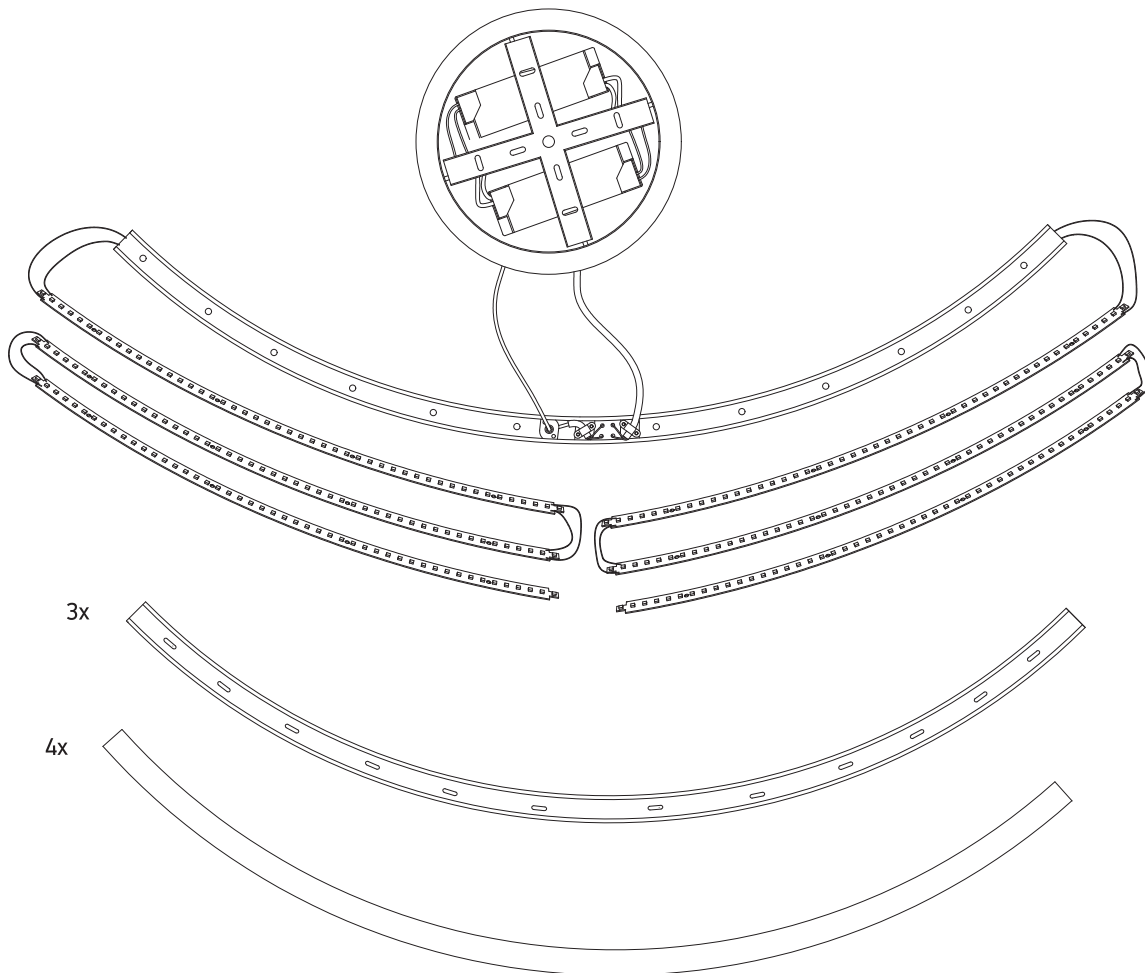


INSTALLATION MANUAL

62156D

LED
BUILT IN

80
CRI

one
LIGHT

 230V | SMD 2835 | 100W | IP20 | Aluminium
 Complete with 1200mA driver.


3x

4x



3x



4x



46x



8x



22x



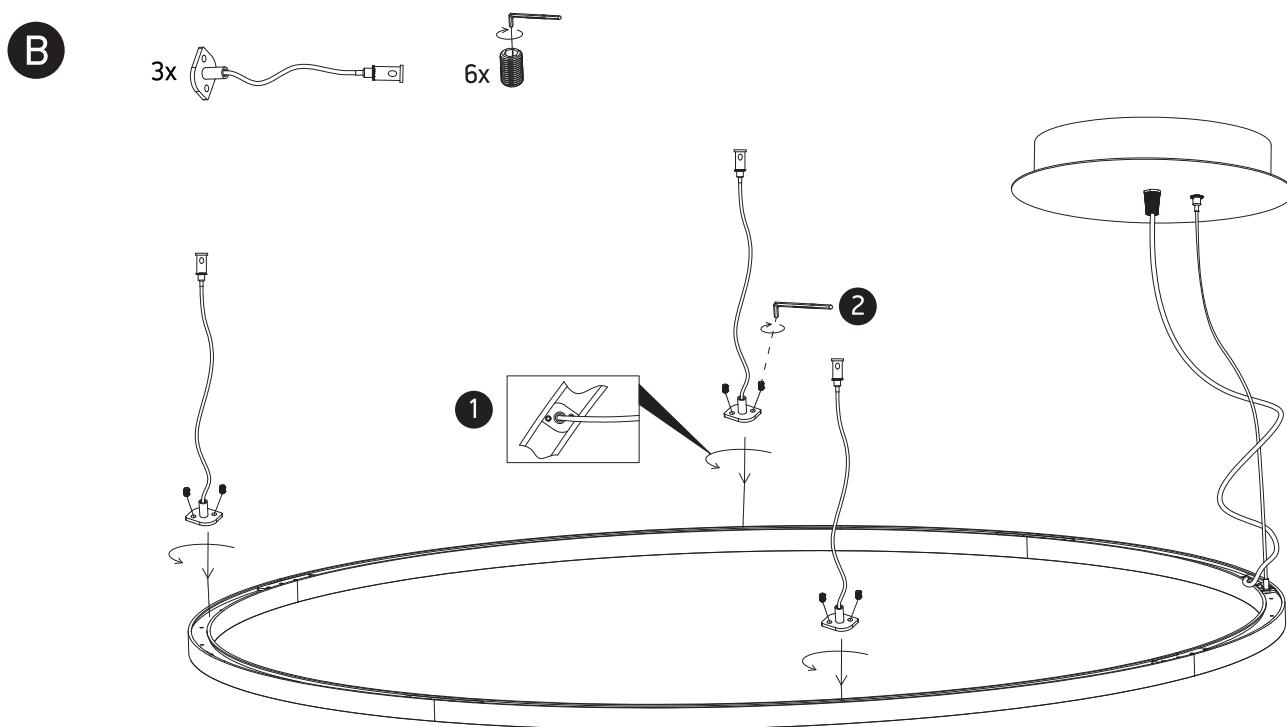
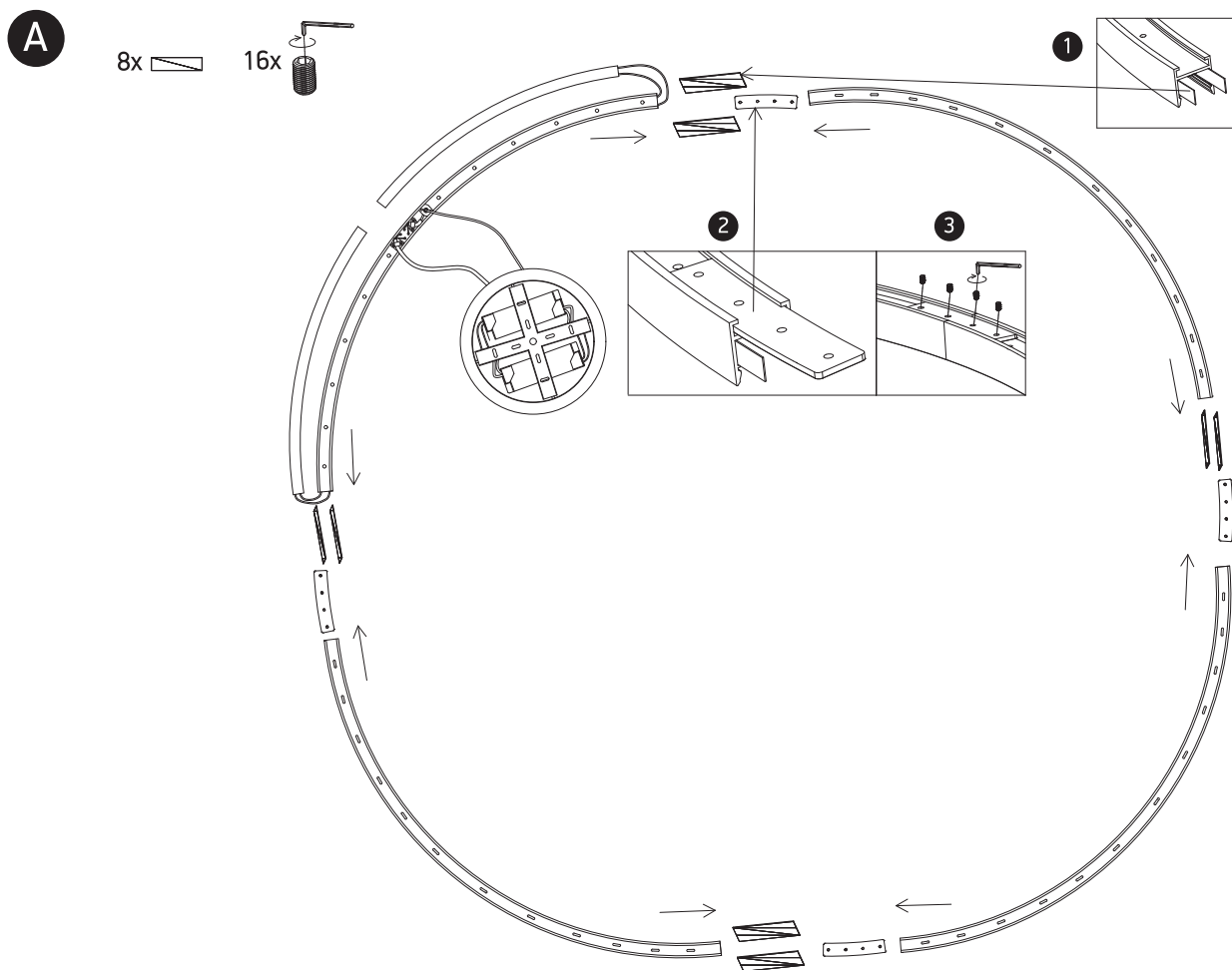
8x



8x

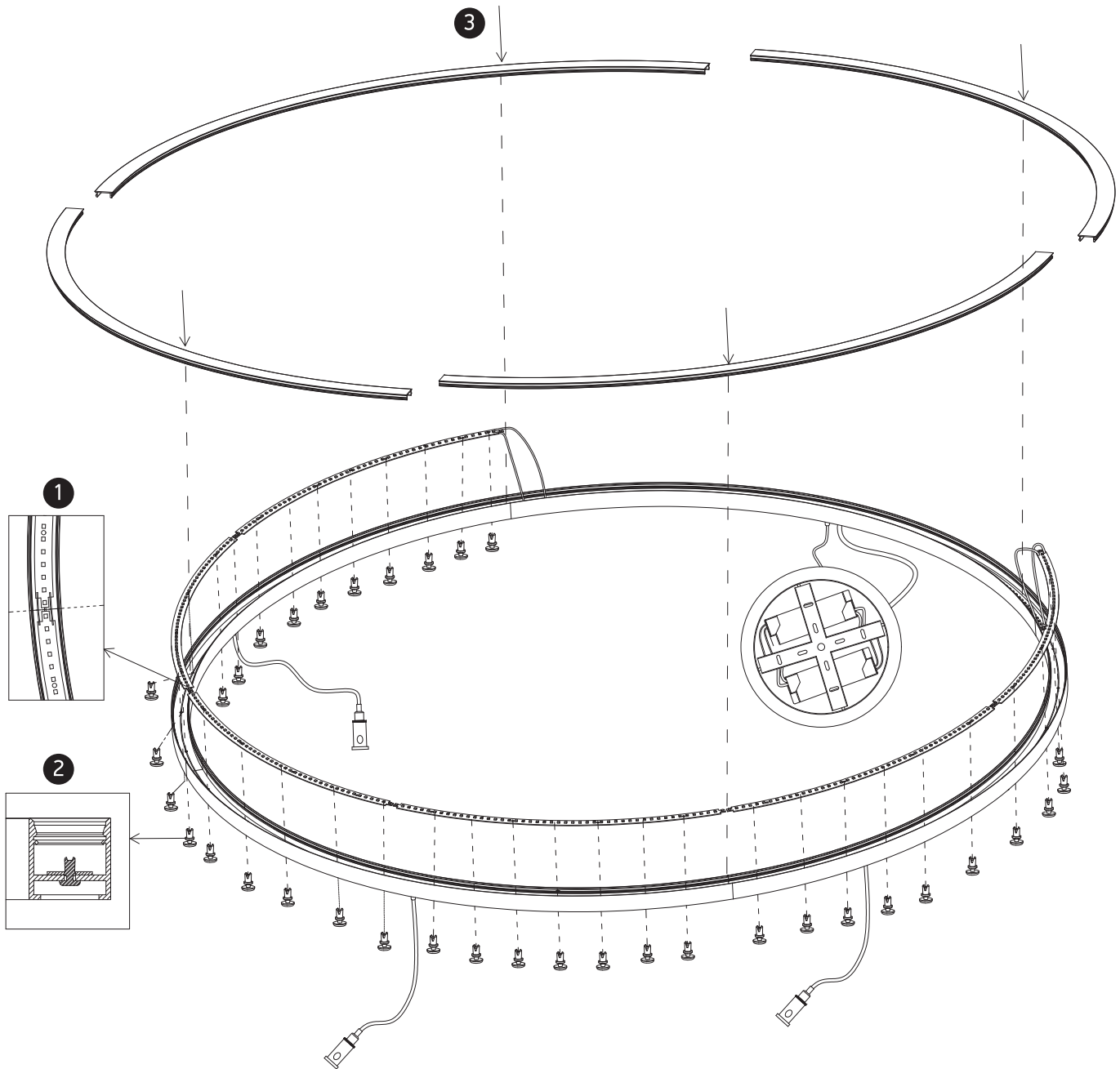
Warnings:

1. Fix the base on the ceiling.
2. Make sure that the product is installed properly before connecting to electricity.
3. Connect the AC power cable to the driver's cable as shown in the above diagram.
4. Do not cover the fitting.
5. Maintenance and installation should only be carried out by a professional electrician.





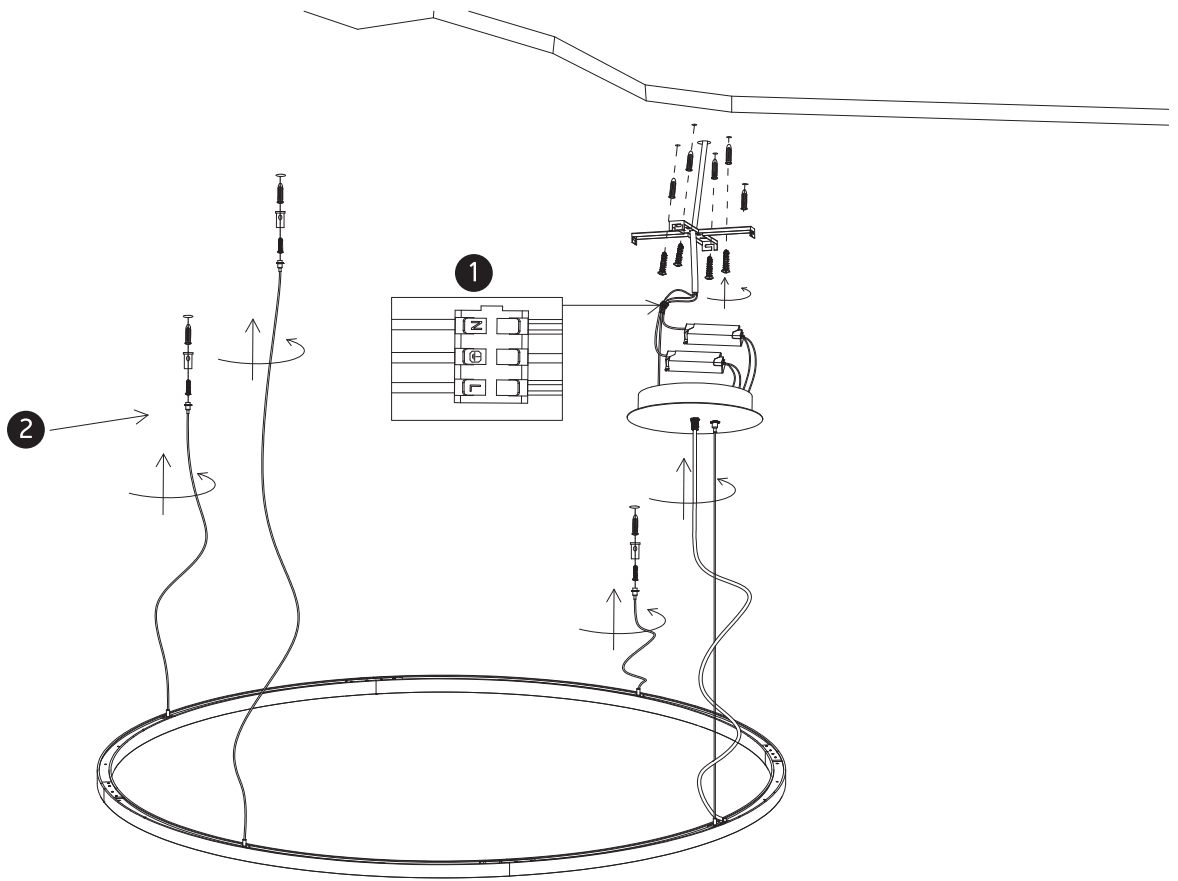
C 46x  4x 





D

8x  8x 



E

