

# INSTALLATION MANUAL

## 50108F, 50116F, 50122F, 50130F

**ecopanel**

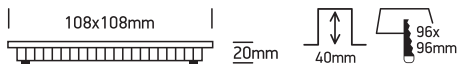


Ra>80



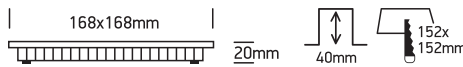
Complete with LED driver

**50108F:** 100-240V | 52LEDs | 8W | IP40 | Die cast



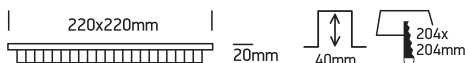
Optional dimmable driver code 040054

**50116F:** 100-240V | 104LEDs | 16W | IP40 | Die cast



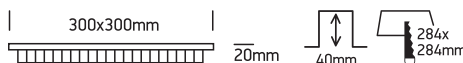
Optional dimmable driver code 040056

**50122F:** 100-240V | 152LEDs | 22W | IP40 | Die cast

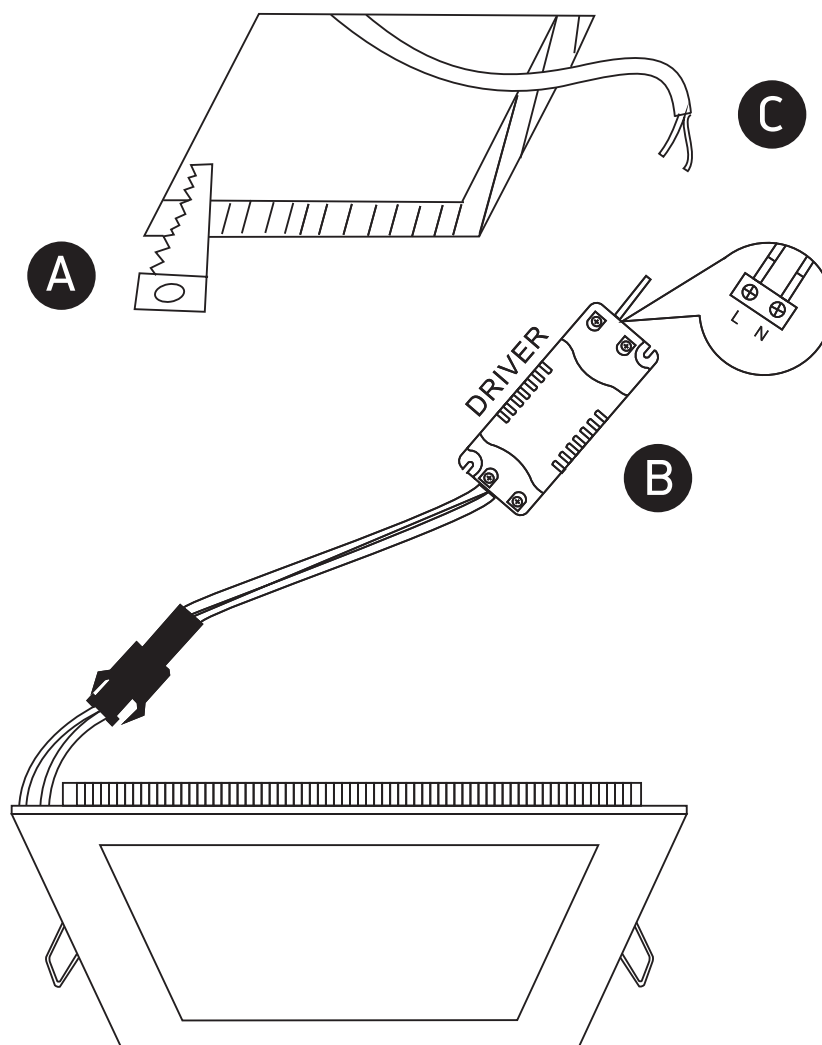


Optional dimmable driver code 040058

**50130F:** 100-240V | 208LEDs | 30W | IP40 | Die cast



Optional dimmable driver code 040060



### Warnings:

1. Make sure that the product is installed properly before connecting to electricity.
2. Do not cover the fitting.
3. Maintenance and installation should only be carried out by a professional electrician.