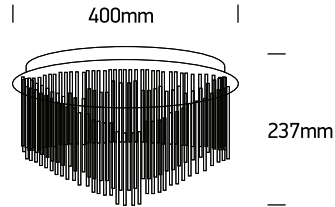


INSTALLATION MANUAL

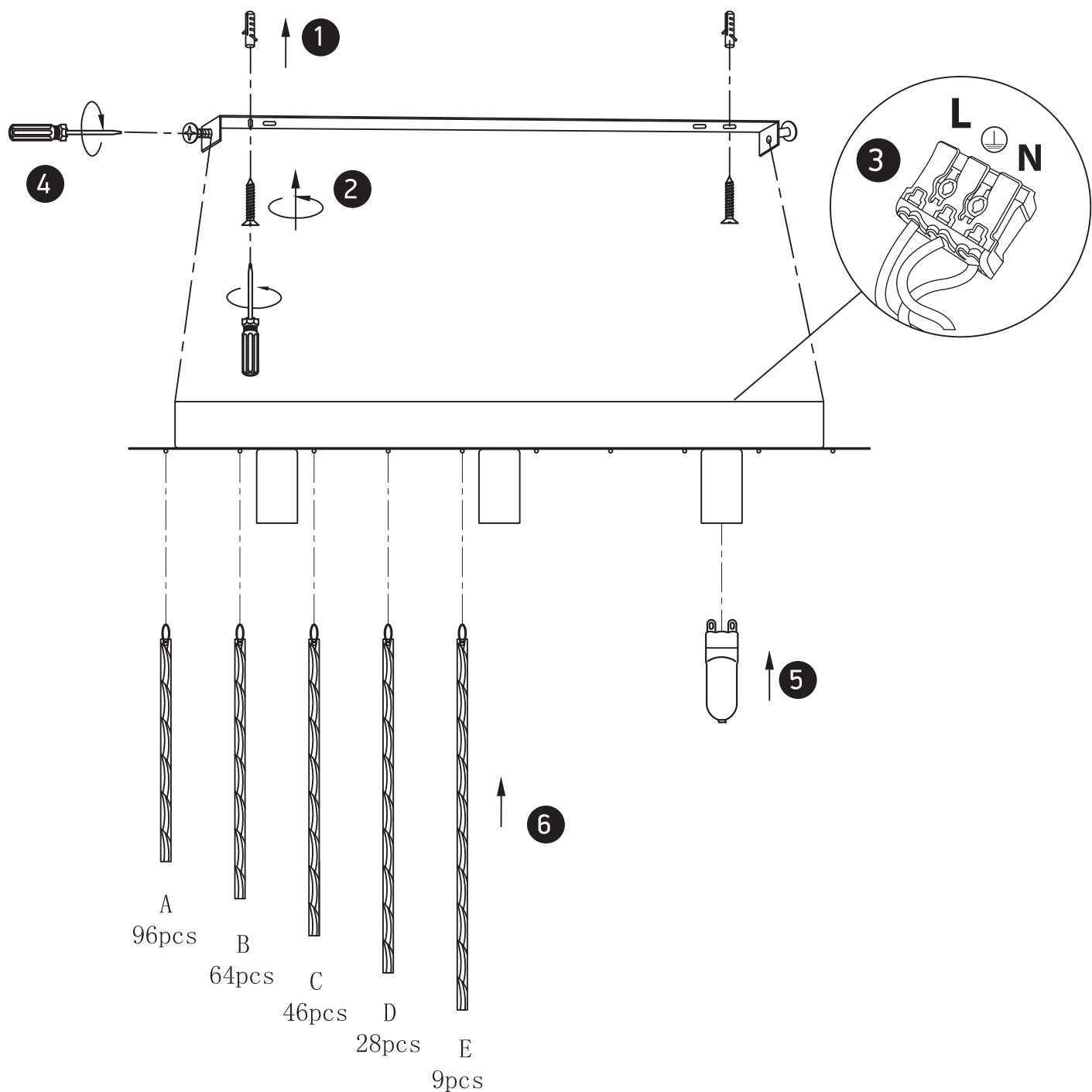
62168B



100-240V | G9 | 8 x 9W | IP20 | Metal + aluminium tubes



one
LIGHT



Warnings:

1. Make sure that the product is installed properly before connecting to electricity.
2. Do not cover the fitting.
3. Maintenance and installation should only be carried out by a professional electrician.